



DEEP GROOVE BALL BEARINGS

JVN Bearings FZE



Introduction

The versatility offered by Deep Groove Ball Bearings makes them most popular of all Bearing types. They are simple in design. JVN Deep Groove Ball Bearings are available in a wide range, as defined by the ISO standard plan. These could also be made to meet customer's special dimensional requirements, but within some basic design limitations.

Deep Groove Ball Bearings are

- Capable of carrying load in either direction, with relatively higher radial load carrying capacity
- Suitable for low or medium load applications
- Suitable for low, medium, or even high-speed applications; depending on the type and precision of selected bearing
- Well suited for applications that require high running accuracy
- Suitable for low noise and low torque applications

JVN can offer following variants

- Single and Double Row type
- Open basic design type
- As Sealed types
- With Snap Ring groove
- With Snap Ring groove and Snap Ring
- With C2, CN, C3, C4 and C5 radial clearance
- Standard precision grade (ISO Grade 0 - ABEC1) and higher precision grade (ISO Grade ABEC3)
- With extended Inner Ring
- Pressed Steel, riveted, Plastic and machined Brass Cage

Apart from the list of items presented in the following pages, many other special type of JVN Deep Groove Ball Bearings have been developed to meet specific application requirements. Technical information for such Bearings, is available on request.

Note:

For Reference Purpose Only. Mentioned Speed Ratings are with Oil Lubrication. For Grease Lubrication, please use 75% of the indicated values.

JVN standard suffixes for Deep Groove Ball Bearings

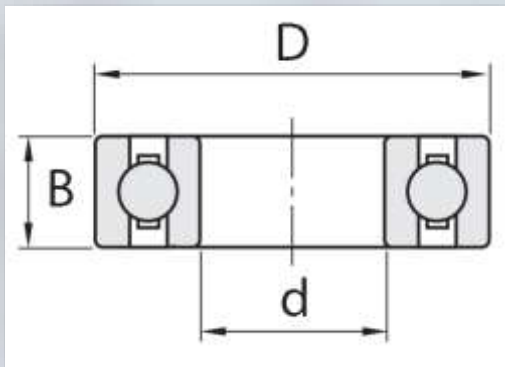
A	Modified internal design.
C2	Radial internal clearance less than normal.
CN	Normal radial internal clearance. Generally, no special suffix is used in JVN Bearings for normal radial internal clearance.
C3	Radial internal clearance higher than normal.
C4	Radial internal clearance higher than C3.
C5	Radial internal clearance higher than C4.
E	Electric motor quality.
G1-G15	JVN internal grease type codes. For details, please contact JVN Bearings FZE.
J	Pressed Steel Cage.
K	Tapered bore, with taper of 1:12.
M	Machined Brass Cage.
N	Snap Ring groove in the Outer Ring.
NR	Snap Ring groove in the Outer Ring, with Snap Ring.
P or TN	Plastic / Polyamide / Nylon Cage.
P5	Dimensional and running accuracy confirming to ISO class 5.
P6	Dimensional and running accuracy confirming to ISO class 6.
Q1-Q8	JVN internal reference codes. For details please contact JVN Bearings FZE.
RS	Rubber Seal with Steel sheet reinforcement on one side of the Bearing.
RSL	Double lip type Rubber Seal with special groove in the Inner Ring, fixed only at one side of Bearing.
2RS	Rubber Seal with Steel sheet reinforcement on both sides of the Bearing.
2RSL	Double lip type Rubber Seal with special groove in the Inner Ring, fixed at both Bearing sides.
Z	Metallic shield on one side of the Bearing.
ZZ	Metallic shield on both sides of the Bearing.
F	Used as a prefix for a Flange on Outer Ring.

Note: Most of the Bearings listed in the following pages of this chapter are available with above suffixes, subject to design or manufacturing constraints.

Note:

For Reference Purpose Only. Mentioned Speed Ratings are with Oil Lubrication. For Grease Lubrication, please use 75% of the indicated values.

6800 Series: Single Row Thin Type

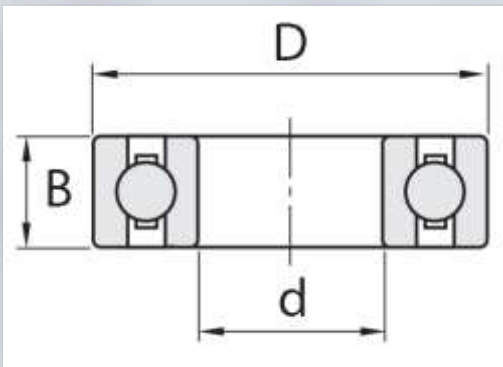


Principal Dimensions			Basic Load Ratings		Speed Ratings		Mass			
					Reference speed	Limiting speed				
Designation	mm			N			r/min	kg		
	d	D	B	Dynamic	Static					
			C		Co					
6800	6800 ZZ	6800 2RS	10	19	5	1720	830	80,000	48,000	0.005
6801	6801 ZZ	6801 2RS	12	21	5	1740	915	70,000	43,000	0.006
6802	6802 ZZ	6802 2RS	15	24	5	1900	1100	60,000	38,000	0.007
6803	6803 ZZ	6803 2RS	17	26	5	2030	1270	56,000	34,000	0.008
6804	6804 ZZ	6804 2RS	20	32	7	4030	2320	45,000	28,000	0.018
6805	6805 ZZ	6805 2RS	25	37	7	4360	2600	38,000	24,000	0.022
6806	6806 ZZ	6806 2RS	30	42	7	4490	2900	32,000	20,000	0.025
6807	6807 ZZ	6807 2RS	35	47	7	4360	3350	30,000	18,000	0.029
6808	6808 ZZ	6808 2RS	40	52	7	4490	3750	26,000	16,000	0.032
6809	6809 ZZ	6809 2RS	45	58	7	6630	6100	22,000	14,000	0.04
6810	6810 ZZ	6810 2RS	50	65	7	6760	6800	20,000	13,000	0.05
6811	6811 ZZ	6811 2RS	55	72	9	9040	8800	19,000	12,000	0.08
6812	6812 ZZ	6812 2RS	60	78	10	11900	11400	17,000	11,000	0.11
6813	6813 ZZ	6813 2RS	65	85	10	12400	12700	16,000	10,000	0.13
6814	6814 ZZ	6814 2RS	70	90	10	12400	13200	15,000	9,000	0.14
6815	6815 ZZ	6815 2RS	75	95	10	12700	14300	14,000	8,500	0.15
6816	6816 ZZ	6816 2RS	80	100	10	13000	15000	13,000	8,000	0.15
6817	6817 ZZ	6817 2RS	85	110	13	19500	20800	12,000	7,500	0.27
6818	6818 ZZ	6818 2RS	90	115	13	19500	22000	11,000	7,000	0.28
6819	6819 ZZ	6819 2RS	95	120	13	19900	22800	11,000	6,700	0.3
6820	6820 ZZ	6820 2RS	100	125	13	17800	18300	10,000	6,300	0.31
6821	6821 ZZ	6821 2RS	105	130	13	20800	19600	10,000	6,300	0.32
6822	6822 ZZ	6822 2RS	110	140	16	28100	26000	9,500	5,600	0.49
6824	6824 ZZ	6824 2RS	120	150	16	29100	28000	8,500	5,300	0.54
6826	6826 ZZ	6826 2RS	130	165	18	37700	43000	8,000	4,800	0.77
6828	6828 ZZ	6828 2RS	140	175	18	39000	46500	7,500	4,500	0.85
6830	6830 ZZ	6830 2RS	150	190	20	48800	61000	6,700	4,300	1.2

Note:

For Reference Purpose Only. Mentioned Speed Ratings are with Oil Lubrication. For Grease Lubrication, please use 75% of the indicated values.

6900 Series: Single Row Thin Type

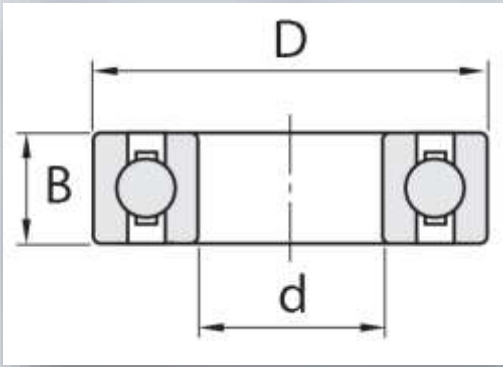


Principal Dimensions			Basic Load Ratings				Speed Ratings		Mass	
			N		Reference speed	Limiting speed				
Designation	mm			Dynamic			Static	r/min	kg	
	d	D	B	C	C0					
6900	6900 ZZ	6900 2RS	10	22	6	2700	1270	70000	45000	0.01
6901	6901 ZZ	6901 2RS	12	24	6	2910	1460	67000	40000	0.011
6902	6902 ZZ	6902 2RS	15	28	7	4360	2240	56000	34000	0.016
6903	6903 ZZ	6903 2RS	17	30	7	4620	2550	50000	32000	0.016
6904	6904 ZZ	6904 2RS	20	37	9	6370	3650	43000	26000	0.037
6905	6905 ZZ	6905 2RS	25	42	9	7020	4300	36000	22000	0.045
6906	6906 ZZ	6906 2RS	30	47	9	7280	4550	30000	19000	0.049
6907	6907 ZZ	6907 2RS	35	55	10	10800	7800	26000	16000	0.08
6908	6908 ZZ	6908 2RS	40	62	12	13800	10000	24000	14000	0.12
6909	6909 ZZ	6909 2RS	45	68	12	14000	10800	20000	13000	0.14
6910	6910 ZZ	6910 2RS	50	72	12	14600	11800	19000	12000	0.14
6911	6911 ZZ	6911 2RS	55	80	13	16500	14000	17000	11000	0.19
6912	6912 ZZ	6912 2RS	60	85	13	16500	14300	16000	10000	0.2
6913	6913 ZZ	6913 2RS	65	90	13	17400	16000	15000	9500	0.22
6914	6914 ZZ	6914 2RS	70	100	16	23800	21200	14000	8500	0.35
6915	6915 ZZ	6915 2RS	75	105	16	24200	22400	13000	8000	0.37
6916	6916 ZZ	6916 2RS	80	110	16	25100	20400	12000	7500	0.38
6917	6917 ZZ	6917 2RS	85	120	18	31900	30000	11000	7000	0.55
6918	6918 ZZ	6918 2RS	90	125	18	33200	31500	11000	6700	0.59
6919	6919 ZZ	6919 2RS	95	130	18	33800	33500	10000	6300	0.61
6920	6920 ZZ	6920 2RS	100	140	20	42300	41500	9500	6000	0.83
6921	6921 ZZ	6921 2RS	105	145	20	44200	44000	9500	5600	0.87
6922	6922 ZZ	6922 2RS	110	150	20	43600	45000	9000	5600	0.9
6924	6924 ZZ	6924 2RS	120	165	22	55300	57000	8000	5000	1.2
6926	6926 ZZ	6926 2RS	130	180	24	65000	67000	7500	4500	1.6
6928	6928 ZZ	6928 2RS	140	190	24	66300	72000	7000	4300	1.7
6930	6930 ZZ	6930 2RS	150	210	28	88400	93000	6300	5300	3.05

Note:

For Reference Purpose Only. Mentioned Speed Ratings are with Oil Lubrication. For Grease Lubrication, please use 75% of the indicated values.

16000 Series: Single Row Thin Type

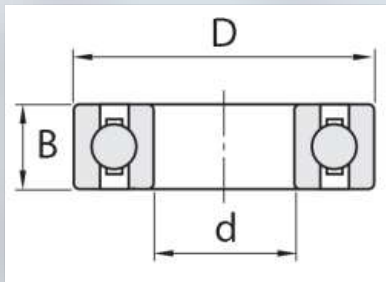


Principal Dimensions						Basic Load Ratings		Speed Ratings		Mass
Designation			d	D	B	Dynamic	Static	Reference speed	Limiting speed	
						C	C0			r/min
			mm	N						
16001	16001 ZZ	16001 2RS	12	28	7	5110	2390	26,000	30,000	0.019
16002	16002 ZZ	16002 2RS	15	32	8	5850	2850	50,000	32,000	0.03
16003	16003 ZZ	16003 2RS	17	35	8	6370	3250	45,000	28,000	0.038
16004	16004 ZZ	16004 2RS	20	42	8	7280	4050	38,000	24,000	0.05
16005	16005 ZZ	16005 2RS	25	47	8	8060	4750	32,000	20,000	0.06
16006	16006 ZZ	16006 2RS	30	55	9	11900	7350	28,000	17,000	0.089
16007	16007 ZZ	16007 2RS	35	62	9	13000	8150	24,000	15,000	0.11
16008	16008 ZZ	16008 2RS	40	68	9	13800	10200	22,000	14,000	0.13
16009	16009 ZZ	16009 2RS	45	75	10	16500	10800	20,000	12,000	0.17
16010	16010 ZZ	16010 2RS	50	80	10	16800	11400	18,000	11,000	0.18
16011	16011 ZZ	16011 2RS	55	90	11	20300	14000	16,000	10,000	0.27
16012	16012 ZZ	16012 2RS	60	95	11	20800	15000	15,000	9,500	0.29
16013	16013 ZZ	16013 2RS	65	100	11	22500	19600	14,000	9,000	0.3
16014	16014 ZZ	16014 2RS	70	110	13	29100	25000	13,000	8,000	0.44
16015	16015 ZZ	16015 2RS	75	115	13	30200	27000	12,000	7,500	0.46
16016	16016 ZZ	16016 2RS	80	125	14	35100	31500	11,000	7,000	0.61
16017	16017 ZZ	16017 2RS	85	130	14	35800	33500	11,000	6,700	0.64
16018	16018 ZZ	16018 2RS	90	140	16	43600	39000	10,000	6,300	0.85
16019	16019 ZZ	16019 2RS	95	145	16	44900	41500	9,500	6,000	0.89
16020	16020 ZZ	16020 2RS	100	150	16	46200	44000	9,500	5,600	0.94
16021	16021 ZZ	16021 2RS	105	160	18	54000	51000	8,500	5,300	1.2
16022	16022 ZZ	16022 2RS	110	170	19	60500	57000	8,000	5,000	1.45
16024	16024 ZZ	16024 2RS	120	180	19	63700	64000	7,500	4,800	1.55
16026	16026 ZZ	16026 2RS	130	200	22	83200	81500	7,000	4,300	2.35
16028	16028 ZZ	16028 2RS	140	210	22	80600	86500	6,700	4,000	2.55
16030	16030 ZZ	16030 2RS	150	225	24	92300	98000	6,000	3,800	3.15
16032	16032 ZZ	16032 2RS	160	240	25	99500	108000	5,600	3,600	3.65
16034	16034 ZZ	16034 2RS	170	260	28	119000	129000	5,300	3,200	5
16036	16036 ZZ	16036 2RS	180	280	31	138000	146000	4,800	3,000	6.5

Note:

For Reference Purpose Only. Mentioned Speed Ratings are with Oil Lubrication. For Grease Lubrication, please use 75% of the indicated values.

6000 Series: Single Row

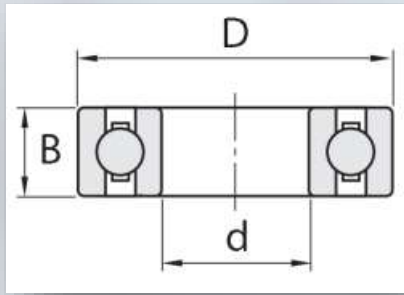


Principal Dimensions			Basic Load Ratings					Speed Ratings		Mass
			N		Dynamic C	Static C0	Reference speed r/min	Limiting speed		
Designation			mm							
			d	D	B					
6000	6000 ZZ	6000 2RS	10	26	8	4750	1960	67,000	40,000	0.019
6001	6001 ZZ	6001 2RS	12	28	8	5400	2360	60,000	38,000	0.021
6002	6002 ZZ	6002 2RS	15	32	9	5850	2850	50,000	32,000	0.03
6003	6003 ZZ	6003 2RS	17	35	10	6370	3250	45,000	28,000	0.038
6004	6004 ZZ	6004 2RS	20	42	12	9950	5000	38,000	24,000	0.067
6005	6005 ZZ	6005 2RS	25	47	12	11900	6550	32,000	20,000	0.078
6006	6006 ZZ	6006 2RS	30	55	13	13800	8300	28,000	17,000	0.12
6007	6007 ZZ	6007 2RS	35	62	14	16800	10200	24,000	15,000	0.15
6008	6008 ZZ	6008 2RS	40	68	15	17800	11000	22,000	14,000	0.19
6009	6009 ZZ	6009 2RS	45	75	16	22100	14600	20,000	12,000	0.24
6010	6010 ZZ	6010 2RS	50	80	16	22900	16000	18,000	11,000	0.26
6011	6011 ZZ	6011 2RS	55	90	18	29600	21200	16,000	10,000	0.39
6012	6012 ZZ	6012 2RS	60	95	18	30700	23200	15,000	9,500	0.41
6013	6013 ZZ	6013 2RS	65	100	18	31900	25000	14,000	9,000	0.44
6014	6014 ZZ	6014 2RS	70	110	20	39700	31000	13,000	8,000	0.61
6015	6015 ZZ	6015 2RS	75	115	20	41600	33500	12,000	7,500	0.65
6016	6016 ZZ	6016 2RS	80	125	22	49400	40000	11,000	7,000	0.87
6017	6017 ZZ	6017 2RS	85	130	22	52000	43000	11,000	6,700	0.92
6018	6018 ZZ	6018 2RS	90	140	24	60500	50000	10,000	6,300	1.15
6019	6019 ZZ	6019 2RS	95	145	24	63700	54000	9,500	6,000	1.1
6020	6020 ZZ	6020 2RS	100	150	24	63700	54000	9,500	5,600	1.25
6021	6021 ZZ	6021 2RS	105	160	26	76100	65500	8,500	5,300	1.6
6022	6022 ZZ	6022 2RS	110	170	28	85200	73500	8,000	5,000	1.95
6024	6024 ZZ	6024 2RS	120	180	28	88400	80000	7,500	4,800	2.1
6026	6026 ZZ	6026 2RS	130	200	33	112000	100000	7,000	4,300	3.25
6028	6028 ZZ	6028 2RS	140	210	33	111000	108000	6,700	4,000	3.45
6030	6030 ZZ	6030 2RS	150	225	35	125000	125000	6,000	3,800	4.3
6032	6032 ZZ	6032 2RS	160	240	38	143000	143000	5,600	3,600	5.2
6034	6034 ZZ	6034 2RS	170	260	42	168000	173000	5,300	3,200	7
6036	6036 ZZ	6036 2RS	180	280	46	190000	200000	4,800	3,000	9.1
6038	6038 ZZ	6038 2RS	190	290	46	195000	216000	4,800	3,000	9.55
6040	6040 ZZ	6040 2RS	200	310	51	216000	245000	4,300	2,800	12.5
6044	6044 ZZ	6044 2RS	220	340	56	247000	290000	4,000	2,400	16
6048	6048 ZZ	6048 2RS	240	360	56	255000	315000	3,600	2,200	17
6052	6052 ZZ	6052 2RS	260	400	65	291000	375000	3,200	2,000	25
6056	6056 ZZ	6056 2RS	280	420	65	302000	405000	3,000	1,900	26
6060	6060 ZZ	6060 2RS	300	460	74	365000	520000	2,400	1,900	44.5

Note:

For Reference Purpose Only. Mentioned Speed Ratings are with Oil Lubrication. For Grease Lubrication, please use 75% of the indicated values.

6200 Series: Single Row

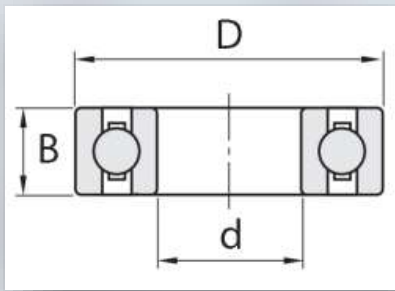


Principal Dimensions						Basic Load Ratings		Speed Ratings		Mass
Designation			mm			N		Reference speed	Limiting speed	
						Dynami c	Static			r/min
			d	D	B	C	C0			
6200	6200 ZZ	6200 2RS	10	30	9	5400	2360	56,000	36,000	0.031
6201	6201 ZZ	6201 2RS	12	32	10	7280	3100	50,000	32,000	0.037
6202	6202 ZZ	6202 2RS	15	35	11	8060	3750	43,000	28,000	0.045
6203	6203 ZZ	6203 2RS	17	40	12	9950	4750	38,000	24,000	0.065
6204	6204 ZZ	6204 2RS	20	47	14	13500	6550	32,000	20,000	0.11
6205	6205 ZZ	6205 2RS	25	52	15	14800	7800	28,000	18,000	0.13
6206	6206 ZZ	6206 2RS	30	62	16	20300	11200	24,000	15,000	0.2
6207	6207 ZZ	6207 2RS	35	72	17	27000	15300	20,000	13,000	0.29
6208	6208 ZZ	6208 2RS	40	80	18	32500	19000	18,000	11,000	0.37
6209	6209 ZZ	6209 2RS	45	85	19	35100	21600	17,000	11,000	0.42
6210	6210 ZZ	6210 2RS	50	90	20	37100	23200	15,000	10,000	0.45
6211	6211 ZZ	6211 2RS	55	100	21	46200	29000	14,000	9,000	0.61
6212	6212 ZZ	6212 2RS	60	110	22	55300	36000	13,000	8,000	0.78
6213	6213 ZZ	6213 2RS	65	120	23	58500	40500	12,000	7,500	1
6214	6214 ZZ	6214 2RS	70	125	24	63700	45000	11,000	7,000	1.1
6215	6215 ZZ	6215 2RS	75	130	25	68900	49000	10,000	6,700	1.2
6216	6216 ZZ	6216 2RS	80	140	26	72800	55000	9,500	6,000	1.45
6217	6217 ZZ	6217 2RS	85	150	28	87100	64000	9,000	5,600	1.8
6218	6218 ZZ	6218 2RS	90	160	30	101000	73500	8,500	5,300	2.2
6219	6219 ZZ	6219 2RS	95	170	32	114000	81500	8,000	5,000	2.65
6220	6220 ZZ	6220 2RS	100	180	34	127000	93000	7,500	4,800	3.15
6221	6221 ZZ	6221 2RS	105	190	36	140000	104000	7,000	4,500	3.8
6222	6222 ZZ	6222 2RS	110	200	38	151000	118000	6,700	4,300	4.45
6224	6224 ZZ	6224 2RS	120	215	40	146000	118000	6,300	4,000	5.25
6226	6226 ZZ	6226 2RS	130	230	40	156000	132000	5,600	3,600	5.85
6228	6228 ZZ	6228 2RS	140	250	42	165000	150000	5,300	3,400	7.75
6230	6230 ZZ	6230 2RS	150	270	45	174000	166000	5,000	3,200	10
6232	6232 ZZ	6232 2RS	160	290	48	186000	186000	4,500	3,000	13
6234	6234 ZZ	6234 2RS	170	310	52	212000	224000	4,300	2,800	16
6236	6236 ZZ	6236 2RS	180	320	52	229000	240000	4,000	2,600	42
6238	6238 ZZ	6238 2RS	190	340	55	255000	280000	3,800	2,400	20
6240	6240 ZZ	6240 2RS	200	360	58	270000	310000	3,600	2,200	24

Note:

For Reference Purpose Only. Mentioned Speed Ratings are with Oil Lubrication. For Grease Lubrication, please use 75% of the indicated values.

6300 Series: Single Row

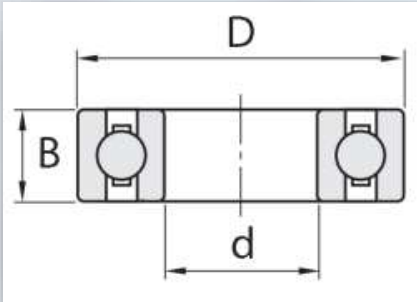


Principal Dimensions			Basic Load Ratings				Speed Ratings		Mass	
			N		Dynamic C	Static C0	Reference speed r/min	Limiting speed		
Designation		mm							C	C0
		d	D	B						
6300	6300 ZZ	6300 2RS	10	35	11	8520	3400	50,000	32,000	0.053
6301	6301 ZZ	6301 2RS	12	37	12	10100	4150	45,000	28,000	0.06
6302	6302 ZZ	6302 2RS	15	42	13	11900	5400	38,000	24,000	0.082
6303	6303 ZZ	6303 2RS	17	47	14	14300	6550	34,000	22,000	0.11
6304	6304 ZZ	6304 2RS	20	52	15	16800	7800	30,000	19,000	0.14
6305	6305 ZZ	6305 2RS	25	62	17	23400	11600	24,000	16,000	0.23
6306	6306 ZZ	6306 2RS	30	72	19	29600	16000	20,000	13,000	0.35
6307	6307 ZZ	6307 2RS	35	80	21	35100	19000	19,000	12,000	0.46
6308	6308 ZZ	6308 2RS	40	90	23	42300	24000	17,000	11,000	0.63
6309	6309 ZZ	6309 2RS	45	100	25	55300	31500	15,000	9,500	0.84
6310	6310 ZZ	6310 2RS	50	110	27	65000	38000	13,000	8,500	1.1
6311	6311 ZZ	6311 2RS	55	120	29	74100	45000	12,000	8,000	1.35
6312	6312 ZZ	6312 2RS	60	130	31	85200	52000	11,000	7,000	1.7
6313	6313 ZZ	6313 2RS	65	140	33	97500	60000	10,000	6,700	2.1
6314	6314 ZZ	6314 2RS	70	150	35	111000	68000	9,500	6,300	2.55
6315	6315 ZZ	6315 2RS	75	160	37	119000	76500	9,000	5,600	3.05
6316	6316 ZZ	6316 2RS	80	170	39	130000	86500	8,500	5,300	3.65
6317	6317 ZZ	6317 2RS	85	180	41	140000	96500	8,000	5,000	4.25
6318	6318 ZZ	6318 2RS	90	190	43	151000	108000	7,500	4,800	4.95
6319	6319 ZZ	6319 2RS	95	200	45	159000	118000	7,000	4,500	5.75
6320	6320 ZZ	6320 2RS	100	215	47	174000	140000	6,700	4,300	7.1
6321	6321 ZZ	6321 2RS	105	225	49	182000	153000	6,300	4,000	8.15
6322	6322 ZZ	6322 2RS	110	240	50	203000	180000	6,000	3,800	9.65
6324	6324 ZZ	6324 2RS	120	260	55	208000	186000	5,600	3,400	12.5
6326	6326 ZZ	6326 2RS	130	280	58	229000	216000	5,000	3,200	15
6328	6328 ZZ	6328 2RS	140	300	62	251000	245000	4,800	3,000	18.5
6330	6330 ZZ	6330 2RS	150	320	65	276000	285000	4,300	2,800	23
6332	6332 ZZ	6332 2RS	160	340	68	276000	285000	4,000	2,600	26
6334	6334 ZZ	6334 2RS	170	360	72	312000	340000	3,800	2,400	31
6336	6336 ZZ	6336 2RS	180	380	75	351000	405000	3,600	2,200	36.5
6338	6338 ZZ	6338 2RS	190	400	78	371000	430000	3,400	2,200	42

Note:

For Reference Purpose Only. Mentioned Speed Ratings are with Oil Lubrication. For Grease Lubrication, please use 75% of the indicated values.

6400 Series: Single Row

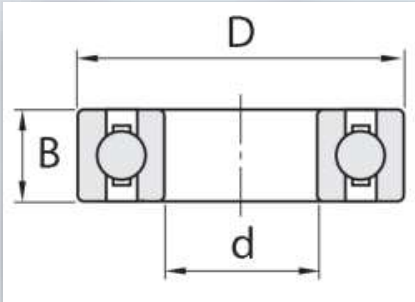


Principal Dimensions						Basic Load Ratings		Speed Ratings		Mass
Designation						N		Reference speed	Limiting speed	
						mm				Dynamic
d	D	B	C	C0						
6403	6403 ZZ	6403 2RS	17	62	17	22900	10800	28,000	18,000	0.27
6404	6404 ZZ	6404 2RS	20	72	19	30700	15000	24,000	15,000	0.41
6405	6405 ZZ	6405 2RS	25	80	21	35800	19300	20,000	13,000	0.54
6406	6406 ZZ	6406 2RS	30	90	23	43600	23600	18,000	11,000	0.75
6407	6407 ZZ	6407 2RS	35	100	25	55300	31000	16,000	10,000	0.97
6408	6408 ZZ	6408 2RS	40	110	27	63700	36500	14,000	9,000	1.25
6409	6409 ZZ	6409 2RS	45	120	29	76100	45000	13,000	8,500	1.55
6410	6410 ZZ	6410 2RS	50	130	31	87100	52000	12,000	7,500	1.95
6411	6411 ZZ	6411 2RS	55	140	33	99500	62000	11,000	7,000	2.35
6412	6412 ZZ	6412 2RS	60	150	35	108000	69500	10,000	6,300	2.85
6413	6413 ZZ	6413 2RS	65	160	37	119000	78000	9,500	6,000	3.35
6414	6414 ZZ	6414 2RS	70	180	42	143000	104000	8,500	5,300	4.95
6415	6415 ZZ	6415 2RS	75	190	45	153000	114000	8,000	5,000	5.8
6416	6416 ZZ	6416 2RS	80	200	48	163000	125000	7,500	4,800	6.85
6417	6417 ZZ	6417 2RS	85	210	52	174000	137000	7,000	4,500	8.05
6418	6418 ZZ	6418 2RS	90	225	54	186000	150000	6,700	4,300	9.8

Note:

For Reference Purpose Only. Mentioned Speed Ratings are with Oil Lubrication. For Grease Lubrication, please use 75% of the indicated values.

62200 Series: Single Row

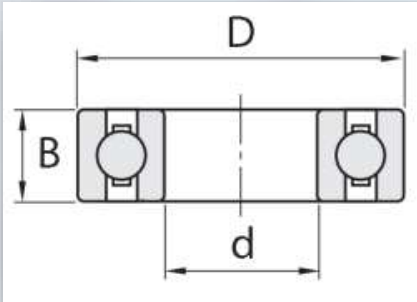


Principal Dimensions			Basic Load Ratings		Speed Ratings		Mass			
			N		Reference speed	Limiting speed				
Designation			mm			Dynamic	Static	r/min	kg	
			d	D	B	C	C0			
62200	62200 ZZ	62200 2RS	10	30	14	5070	2360	30000	17000	0.04
62201	62201 ZZ	62201 2RS	12	32	14	6890	3100	26000	15000	0.045
62202	62202 ZZ	62202 2RS	15	35	14	7800	3750	23000	13000	0.054
62203	62203 ZZ	62203 2RS	17	40	16	9560	4750	21000	12000	0.089
62204	62204 ZZ	62204 2RS	20	47	18	12700	6550	18000	10000	0.13
62205	62205 ZZ	62205 2RS	25	52	18	14000	7800	15000	8500	0.15
62206	62206 ZZ	62206 2RS	30	62	20	19500	11200	13000	7500	0.25
62207	62207 ZZ	62207 2RS	35	72	23	25500	15300	11000	6300	0.4
62208	62208 ZZ	62208 2RS	40	80	23	30700	19000	10000	5600	0.47
62209	62209 ZZ	62209 2RS	45	85	23	33200	21600	9200	5000	0.51
62210	62210 ZZ	62210 2RS	50	90	23	35100	23200	8300	4800	0.54
62211	62211 ZZ	62211 2RS	55	100	25	43600	29000	7600	4300	0.75
62212	62212 ZZ	62212 2RS	60	110	28	52700	36000	7000	4000	1
62213	62213 ZZ	62213 2RS	65	120	31	55900	40500	6500	3600	1.4
62214	62214 ZZ	62214 2RS	70	125	31	60500	45000	6000	3400	1.4

Note:

For Reference Purpose Only. Mentioned Speed Ratings are with Oil Lubrication. For Grease Lubrication, please use 75% of the indicated values.

62300 Series: Single Row

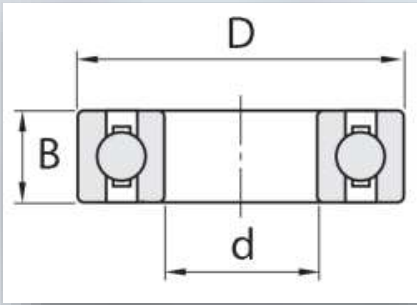


Principal Dimensions			Basic Load Ratings		Speed Ratings		Mass			
			N	C	Reference speed	Limiting speed				
Designation	mm		Dynamic	Static	r/min	kg				
	d	D	B	C0						
62300	62300 ZZ	62300 2RS	10	35	17	8060	3400	27000	15,000	0.06
62302	62302 ZZ	62302 2RS	15	42	17	11400	5400	24000	12,000	0.11
62303	62303 ZZ	62303 2RS	17	47	19	13500	6550	21000	11,000	0.16
62304	62304 ZZ	62304 2RS	20	52	21	15900	7800	19000	9,500	0.21
62305	62305 ZZ	62305 2RS	25	62	24	22500	11600	17000	7,500	0.32
62306	62306 ZZ	62306 2RS	30	72	27	28100	16000	14000	6,300	0.5
62307	62307 ZZ	62307 2RS	35	80	31	33200	19000	12000	6,000	0.68
62308	62308 ZZ	62308 2RS	40	90	33	41000	24000	10000	5,000	0.92
62309	62309 ZZ	62309 2RS	45	100	36	52700	31500	9200	4,500	1.2
62310	62310 ZZ	62310 2RS	50	110	40	61800	38000	8200	4,300	1.6
62311	62311 ZZ	62311 2RS	55	120	43	71500	45000	7500	3,800	2.05
62312	62312 ZZ	62312 2RS	60	130	46	81900	52000	6800	3,400	2.55
62313	62313 ZZ	62313 2RS	65	140	48	92300	60000	6300	3,200	3
62314	62314 ZZ	62314 2RS	70	150	51	104000	68000	5400	3,000	3.75

Note:

For Reference Purpose Only. Mentioned Speed Ratings are with Oil Lubrication. For Grease Lubrication, please use 75% of the indicated values.

63000 Series: Single Row

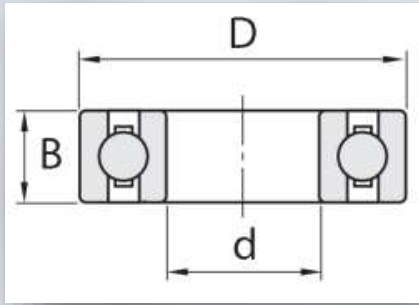


Principal Dimensions			Basic Load Ratings		Speed Ratings		Mass			
			N		Reference speed r/min	Limiting speed				
Designation		mm					Dynamic	Static	kg	
		d	D	B	C	C0				
63000	63000 ZZ	63000 2RS	10	26	12	4620	1960	30000	19,000	0.03
63001	63001 ZZ	63001 2RS	12	28	12	5070	2360	30000	17,000	0.03
63002	63002 ZZ	63002 2RS	15	32	13	5590	2850	26000	14,000	0.04
63003	63003 ZZ	63003 2RS	17	35	14	6050	3250	24000	13,000	0.05
63004	63004 ZZ	63004 2RS	20	42	16	9360	5000	21000	11,000	0.09
63005	63005 ZZ	63005 2RS	25	47	16	11200	6550	18000	9,500	0.11
63006	63006 ZZ	63006 2RS	30	55	19	13300	8300	15000	8,000	0.17
63007	63007 ZZ	63007 2RS	35	62	20	15900	10200	14000	7,000	0.23
63008	63008 ZZ	63008 2RS	40	68	21	16800	11000	12000	6,300	0.27

Note:

For Reference Purpose Only. Mentioned Speed Ratings are with Oil Lubrication. For Grease Lubrication, please use 75% of the indicated values.

RLS Series: Single Row

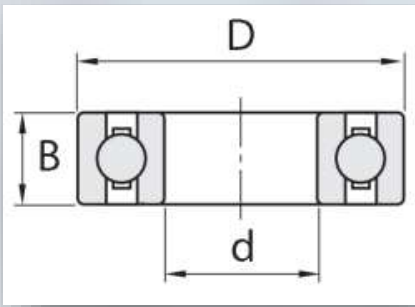


Principal Dimensions				Basic Load Ratings		Speed Ratings		Mass
Designation	mm			N		Reference speed	Limiting speed	
	d	D	B	Dynamic C	Static C0			r/min
RLS4	12.7	33.338	9.525	6250	2800	45000	32000	0.041
RLS5	15.875	39.688	11.113	9750	4900	34000	24000	0.068
RLS6	19.05	47.625	14.288	13100	6800	30000	20000	0.113
RLS7	22.225	47.625	14.288	14200	7850	26000	19000	0.122
RLS8	25.4	57.15	15.875	18200	9850	24000	17000	0.177
RLS9	28.575	63.5	15.875	19800	11500	22000	15000	0.277
RLS10	31.75	69.85	17.463	19900	11900	20000	14000	0.3
RLS11	34.925	76.2	17.463	21300	13600	20000	13000	0.35
RLS12	38.1	82.55	19.05	29700	18200	18000	11000	0.45
RLS13	41.275	88.9	19.05	33300	20700	17000	11000	0.52
RLS 14	44.450	95.250	20.637	35100	23200	15000	10000	0.66
RLS 16	50.800	101.600	20.637	35100	23200	14000	9000	0.70
RLS 18	57.150	114.300	22.250	52700	36000	13000	8000	0.96
RLS 20	63.500	127.000	23.813	60500	45000	11000	7000	1.25
RLS 24	76.200	146.050	26.988	70200	55000	9500	6000	1.40
RLS 28	88.900	165.100	28.575	95600	73500	8500	5300	2.37
RLS 30	95.25	171.45	28.575	105600	83500	7500	5000	2.5
RLS 32	101.6	184.15	31.75	115600	93500	7000	4700	3.36
RLS 34	107.95	190.5	31.75	125600	103500	6500	4400	4.18
RLS 36	114.3	203.2	33.338	135600	113500	6000	4100	4.95
RLS 38	120.65	209.55	33.338	145600	123500	5800	3800	5.18
RLS 40	127	228.6	34.925	155600	133500	5500	3500	6.8
RLS 44	139.7	241.3	34.925	156000	146000	5300	3400	7.3
RLS 48	152.4	266.7	39.688	163000	153000	5000	3100	10.3
RLS 52	165.1	279.4	39.688	170000	160000	5301	2800	10.9
RLS 56	177.8	304.8	44.45	177000	167000	5001	2500	14.8
RLS 60	190.5	317.5	44.45	184000	174000	5302	2200	15.6

Note:

For Reference Purpose Only. Mentioned Speed Ratings are with Oil Lubrication. For Grease Lubrication, please use 75% of the indicated values.

RMS Series: Single Row

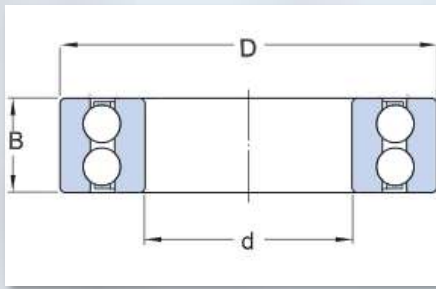


Designation	Principal Dimensions			Basic Load Ratings		Speed Ratings		Mass kg
	mm			N		Reference speed r/min	Limiting speed r/min	
	d	D	B	Dynamic C	Static C0			
RMS 4	12.7	41.275	15.875	11400	3530	18000	22000	0.1
RMS 5	15.875	46.038	15.875	13800	4432	16000	19000	0.12
RMS 6	19.05	50.8	17.462	15900	5452	14000	17000	0.16
RMS 7	22.225	57.15	17.462	18600	7492	12000	15000	0.21
RMS 8	25.4	63.5	19.05	21200	9022	10000	13000	0.27
RMS 9	28.575	71.438	20.638	27000	12003	9500	12000	0.37
RMS 10	31.75	79.375	22.225	33200	13729	9000	11000	0.49
RMS 11	34.925	88.9	22.225	40300	17259	8000	9500	0.63
RMS 12	38.1	95.25	23.812	44200	21260	7500	9000	0.79
RMS 13	41.275	101.6	23.812	52700	23614	6700	8000	0.91
RMS 14	44.45	107.95	26.988	57200	28167	6300	7500	1.13
RMS 15	47.625	114.3	26.988	66300	30596	6000	7000	1.24
RMS 16	50.8	114.3	26.988	66300	36480	6000	7000	1.19
RMS 18	57.15	127	31.75	76100	54603	5300	6300	1.7
RMS 20	63.5	139.7	31.75	92300	69352	4800	5600	2.05
RMS 22	69.85	158.75	34.925	104000	77433	4300	5000	2.97
RMS 24	76.2	177.8	39.688	124000	85513	3800	4500	4.41
RMS 26	82.55	190.5	39.688	133000	94928	3400	4000	5
RMS 28	88.9	206.375	44.45	153000	94928	3200	3800	6.5
RMS 30	95.25	209.55	44.45	153000	94928	3200	3800	6.5
RMS 32	101.6	215.9	44.45	163000	112972	3000	3600	8.1
RMS 34	107.95	222.25	44.45	174000	111403	2800	3400	8.5
RMS 36	114.3	238.125	50.8	186000	126309	2600	3200	11.7
RMS 38	120.85	254	50.8	195000	145922	2400	3000	12.7
RMS 40	127	254	50.8	195000	167105	2400	3000	12.1
RMS 44	139.7	279.4	50.8	212000	189072	2000	2600	15.6
RMS 48	152.4	304.8	57.15	220000	189900	1800	2300	20.9

Note:

For Reference Purpose Only. Mentioned Speed Ratings are with Oil Lubrication. For Grease Lubrication, please use 75% of the indicated values.

4200 Series: Double Row

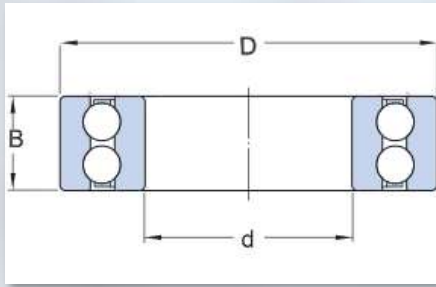


Principal Dimensions						Basic Load Ratings		Speed Ratings		Mass
						N		Reference speed	Limiting speed	
Designation			mm			Dynamic	Static			
			d	D	B	C	C0	r/min		
4200	4200 ZZ	4200 2RS	10	30	14	9230	5200	40000	22000	0.049
4201	4201 ZZ	4201 2RS	12	32	14	10600	6200	36000	20000	0.052
4202	4202 ZZ	4202 2RS	15	35	14	11900	7500	32000	17000	0.059
4203	4203 ZZ	4203 2RS	17	40	16	14800	9500	28000	15000	0.09
4204	4204 ZZ	4204 2RS	20	47	18	17800	12500	24000	13000	0.14
4205	4205 ZZ	4205 2RS	25	52	18	19000	14600	20000	11000	0.17
4206	4206 ZZ	4206 2RS	30	62	20	26000	20800	17000	9500	0.29
4207	4207 ZZ	4207 2RS	35	72	23	35100	28500	15000	8000	0.4
4208	4208 ZZ	4208 2RS	40	80	23	37100	32500	13000	7000	0.5
4209	4209 ZZ	4209 2RS	45	85	23	39000	36000	12000	6700	0.54
4210	4210 ZZ	4210 2RS	50	90	23	41000	40000	11000	6000	0.58
4211	4211 ZZ	4211 2RS	55	100	25	44900	44000	10000	5600	0.8
4212	4212 ZZ	4212 2RS	60	110	28	57200	55000	9500	5300	1.1
4213	4213 ZZ	4213 2RS	65	120	31	67600	67000	8500	4800	1.45
4214	4214 ZZ	4214 2RS	70	125	31	70200	73500	8000	4300	1.5
4215	4215 ZZ	4215 2RS	75	130	31	72800	80000	7500	4000	1.6
4216	4216 ZZ	4216 2RS	80	140	33	80600	90000	7000	3800	2
4217	4217 ZZ	4217 2RS	85	150	36	93600	102000	7000	3600	2.55
4218	4218 ZZ	4218 2RS	90	160	40	112000	122000	6300	3400	3.2
4220	42 20 ZZ	4220 2RS	100	180	46	140000	156000	5600	3000	4.7

Note:

For Reference Purpose Only. Mentioned Speed Ratings are with Oil Lubrication. For Grease Lubrication, please use 75% of the indicated values.

4300 Series: Double Row



Principal Dimensions						Basic Load Ratings		Speed Ratings		Mass
						N		Reference speed	Limiting speed	
Designation			mm			Dynamic	Static			r/min
			d	D	B	C	C0			
4301	4301 ZZ	4301 2RS	12	37	17	13000	7800	34,000	18,000	0.092
4302	4302 ZZ	4302 2RS	15	42	17	14800	9500	28,000	15,000	0.12
4303	4303 ZZ	4303 2RS	17	47	19	19500	13200	24,000	13,000	0.16
4304	4304 ZZ	4304 2RS	20	52	21	23400	16000	22,000	12,000	0.21
4305	4305 ZZ	4305 2RS	25	62	24	31900	22400	18,000	10,000	0.34
4306	4306 ZZ	4306 2RS	30	72	27	41000	30000	16,000	8,500	0.5
4307	4307 ZZ	4307 2RS	35	80	31	50700	38000	14,000	7,500	0.68
4308	4308 ZZ	4308 2RS	40	90	33	55900	45000	12,000	6,700	0.95
4309	4309 ZZ	4309 2RS	45	100	36	68900	56000	11,000	6,000	1.25
4310	4310 ZZ	4310 2RS	50	110	40	81900	69500	10,000	5,300	1.7
4311	4311 ZZ	4311 2RS	55	120	43	97500	83000	9,000	5,000	2.15
4312	4312 ZZ	4312 2RS	60	130	46	112000	98000	8,500	4,500	2.65
4313	4313 ZZ	4313 2RS	65	140	48	121000	106000	8,000	4,300	3.25
4314	4314 ZZ	4314 2RS	70	150	51	138000	125000	7,000	3,800	3.95
4315	4315 ZZ	4315 2RS	75	160	55	156000	143000	6,700	3,600	4.8

Note:

For Reference Purpose Only. Mentioned Speed Ratings are with Oil Lubrication. For Grease Lubrication, please use 75% of the indicated values.