

BALL BEARING UNITS AND PILLOW BLOCK BEARINGS



JVN Bearings FZE



JVN BEARINGS FZE – Ball Bearing Units and Pillow Block Bearings

Contents

BALL BEARING UNITS AND PILLOW BLOCK BEARINGS.....	0
Introduction.....	2
Nomenclature.....	3
UC200 Series: Ball Bearings.....	4
UC300 Series: Pillow Block Units Single Row.....	5
AEL200: Pillow Block Units Single Row.....	6
UCP200 Series: Pillow Block Units Single Row.....	7
UCP300 Series: Pillow Block Units Single Row.....	8
UCPA200 Series – Pillow Block Units.....	9
UCF200 Series: Square Flange Units.....	10
UCF300 Series: Square Flange Units.....	11
UCFC200 Series: Flange Cartridge Units.....	12
UCFL200 Series: Oval Flange Units.....	13
UCFL300 Series: Oval Flange Units.....	14
UCT200 Series: Take-Up Units.....	15
UCT300 Series: Take-Up Units.....	16
UC200 Inch Series: Ball Bearings.....	17
UC200 Inch Series: Ball Bearings ...cont.....	18
UC300 Inch Series: Ball Bearings.....	19
UC300 Inch Series: Ball Bearings.....	20
AEL200 Inch Series: Ball Bearings.....	21
AEL200 Inch Series: Ball Bearings.....	22
UCP200 Inch Series: Pillow Block Units.....	23
UCP300 Inch Series: Pillow Block Bearings.....	24
UCPA200 Inch Series: Pillow Block Units.....	25
UCF200 Inch Series: Square Flange Units.....	26
UCF300 Inch Series: Square Flange Units.....	27
UCFC200 Inch Series: Flange Cartridge Units.....	28
UCFC200 Inch Series: Flange Cartridge Units.....	29
UCFL200 Inch Series: Oval Flange Units.....	30
UCFL300 Inch Series: Oval Flange Units.....	31
UCT200 Inch Series: Single Row Take Up Units.....	32
UCT300 Inch Series: Single Row Take Up Units.....	33

Note:

For Reference Purpose Only. Mentioned Speed Ratings are with Oil Lubrication. For Grease Lubrication, please use 75% of the indicated values.

Introduction

- 1. Insert Ball Bearings** Insert ball bearings are a type of deep groove ball bearing designed to be mounted on shafts.
 - They are composed of a rolling element, typically a ball, and an outer ring that fits into a housing.
 - Insert ball bearings can handle radial loads and moderate axial loads, but they are not suitable for pure axial loads.
 - They are available with various types of outer rings, such as spherical or cylindrical, to accommodate different types of housings.
 - Insert ball bearings are commonly used in applications such as conveyor systems, agricultural equipment, and textile machinery.
 - They are easy to install and can be easily replaced when necessary.
 - JVN can offer various types of insert ball bearings, including those with eccentric locking collars, set screw locking, and adapter sleeves.
- 2. Ball Bearing Units**
 - Ball bearing units, also known as mounted bearings, are complete units that consist of a ball bearing and housing.
 - The housing is typically made of cast iron or steel and is designed to provide support and protection for the bearing.
 - Ball-bearing units can be used in a wide range of applications, including conveyor systems, food processing equipment, and HVAC systems.
 - They are available in various configurations, including pillow block, flange, and take-up units.
 - Ball-bearing units can handle radial and axial loads, and they are designed to be easy to install and maintain.
 - JVN can offer a variety of ball-bearing units, including those with set screw locking, eccentric locking collars, and concentric locking collars. Specialized options such as stainless steel and thermoplastic housing units are also available.

JVN offers a wide range of Ball Bearing Units that cater to various industrial applications. These units come in different types and configurations to suit specific needs. Some of the variants that JVN offers are:

- **Pillow Blocks - UCP and UCPA type:** These Ball Bearing Units have a pillow-shaped housing with a bearing mounted inside. They are suitable for applications where the load is predominantly radial.
- **Square Flange - UCF type:** These units have a square-shaped housing with a bearing mounted inside. They are suitable for applications where the load is predominantly axial.
- **Flange Cartridge - UCFC type:** These Ball Bearing Units have a flanged housing with a bearing mounted inside. They are ideal for applications where space is limited.
- **Oval Flange - UCFL type:** These units have an oval-shaped flanged housing with a bearing mounted inside. They are suitable for applications where the load is predominantly radial.
- **Take-up Units - UCT type:** These units have a take-up housing with a bearing mounted inside. They are suitable for applications where the distance between the shaft and the mounting surface is adjustable.
- **AEL types:** These units have an eccentric locking collar that enables easy installation and removal of the bearing.
- **Ball Bearing Units with Plastic and Stainless-Steel Housings:** These units are suitable for applications where corrosion and chemical resistance are essential.

Note:

For Reference Purpose Only. Mentioned Speed Ratings are with Oil Lubrication. For Grease Lubrication, please use 75% of the indicated values.

JVN BEARINGS FZE – Ball Bearing Units and Pillow Block Bearings

- **Insert Ball Bearings with Stainless Steel:** These bearings are corrosion-resistant and can operate in harsh environments.

Overall, JVN's range of Ball Bearing Units provides reliable and efficient solutions for various industrial applications.

In addition to the Ball Bearing Units listed in the following pages, we can also develop specialized units to meet unique application requirements. If you require technical information for Bearings that are not currently in our production program, please feel free to request it.

Nomenclature

JVN standard suffixes for JVN Insert Ball Bearings & Ball Bearing Units:

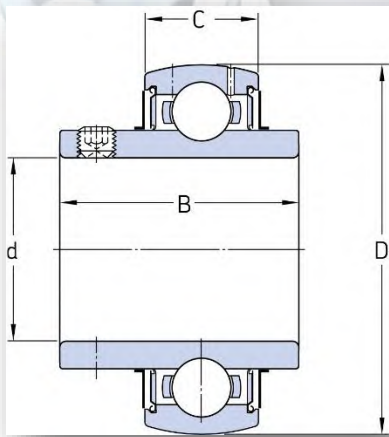
A	Modified internal geometry
ND	Special design
NOH	Without oil hole and oil groove on Outer Ring surface
TS	Triple Rubber Seal design
SD	Special location of oil groove and oil holes on Outer Ring surface
WOH	With only oil holes on Outer Ring surface
WOHG	With oil hole and oil groove on Outer Ring surface

Note: Subject to design or manufacturing limitations, the majority of the Bearings specified in the pages that follow in this chapter are available with the aforementioned suffixes.

Note:

For Reference Purpose Only. Mentioned Speed Ratings are with Oil Lubrication. For Grease Lubrication, please use 75% of the indicated values.

UC200 Series: Ball Bearings

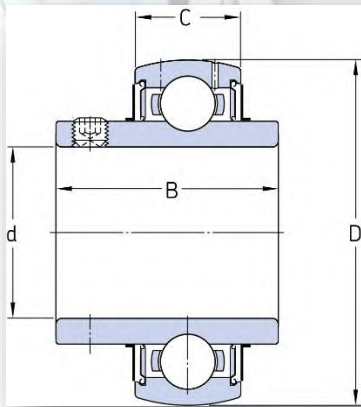


Principal Dimensions					Basic Load Ratings		Mass
Designation	mm				N		
	d(Shaft Diameter)	D	B	C	Dynamic C	Static C0	
UC201	12	47	31	17	9880	6200	0.19
UC202	15	47	31	17	9880	6200	0.18
UC203	17	47	31	17	9880	6200	0.17
UC204	20	47	31	17	9880	6200	0.15
UC205	25	52	34.1	17	10780	6980	0.18
UC206	30	62	38.1	19	14970	10040	0.31
UC207	35	72	42.9	20	19750	13670	0.43
UC208	40	80	49.2	21	22710	15940	0.58
UC209	45	85	49.2	22	24360	17710	0.66
UC210	50	90	51.6	24	26980	19840	0.72
UC211	55	100	55.6	25	33370	25110	0.98
UC212	60	110	65.1	27	36740	27970	1.4
UC213	65	120	65.1	28	44010	34180	1.65
UC214	70	125	74.6	29	46790	37590	1.97
UC215	75	130	77.8	30	50850	41260	2.14
UC216	80	140	82.6	32	55040	45090	2.719
UC217	85	150	85.7	34	64010	53280	3.24
UC218	90	160	96	36	73830	60760	3.87

Note:

For Reference Purpose Only. Mentioned Speed Ratings are with Oil Lubrication. For Grease Lubrication, please use 75% of the indicated values.

UC300 Series: Pillow Block Units Single Row

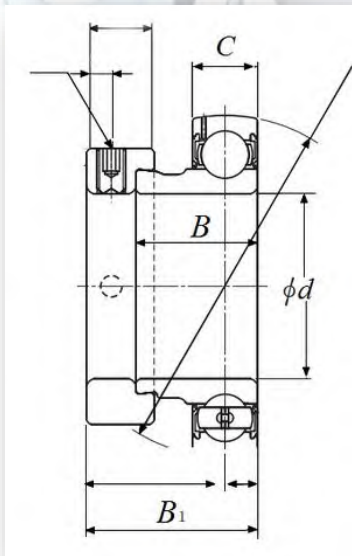


Designation	Principal Dimensions				Basic Load Ratings		Mass
	mm				N		
	d(Shaft Diameter)	D	B	C	Dynamic C	Static C0	kg
UC305	25	62	38	20	17,220	11930	0.31
UC306	30	72	43	23	20,770	14170	0.51
UC307	35	80	48	25	25,660	17920	0.64
UC308	40	90	52	27	31,350	22380	0.89
UC309	45	100	57	30	40,660	30000	1.2
UC310	50	110	61	32	47,580	35710	1.53
UC311	55	120	66	34	55,050	41910	1.84
UC312	60	130	71	36	62,880	48600	2.32
UC313	65	140	75	38	72,210	56680	2.5
UC314	70	150	78	40	80,100	63480	3.43
UC315	75	160	82	42	87,250	71670	4.26
UC316	80	170	86	44	94,570	80350	5.02
UC317	85	180	96	46	1,02,050	89520	6.67
UC318	90	190	96	48	1,10,810	100760	7.56
UC319	95	200	103	50	1,20,510	103750	8.7

Note:

For Reference Purpose Only. Mentioned Speed Ratings are with Oil Lubrication. For Grease Lubrication, please use 75% of the indicated values.

AEL200: Pillow Block Units Single Row

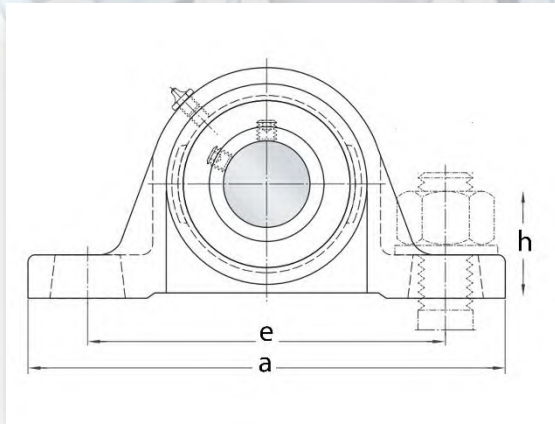


Designation	Principal Dimensions					Basic Load Ratings		Mass
	mm					N		Kg
	d(Shaft Diameter)	D	B1	B	C	Dynamic C	Static C0	
AEL201	12	40	28.6	19.1	12	7360	4480	0.12
AEL202	15	40	28.6	19.1	12	7360	4480	0.1
AEL203	17	40	28.6	19.1	12	7360	4480	0.09
AEL204	20	47	31	21.5	14	9880	6200	0.16
AEL205	25	52	31	21.5	15	10780	6980	0.2
AEL206	30	62	35.7	23.8	16	14970	10040	0.3
AEL207	35	72	38.9	25.4	17	19750	13670	0.42
AEL208	40	80	43.7	30.2	18	22710	15940	0.6
AEL209	45	85	43.7	30.2	19	24360	17710	0.67
AEL210	50	90	43.7	30.2	20	26980	19840	0.75
AEL211	55	100	48.4	32.5	21	33370	25110	1.26
AEL212	60	110	53.1	37.2	22	36740	27970	1.7

Note:

For Reference Purpose Only. Mentioned Speed Ratings are with Oil Lubrication. For Grease Lubrication, please use 75% of the indicated values.

UCP200 Series: Pillow Block Units Single Row

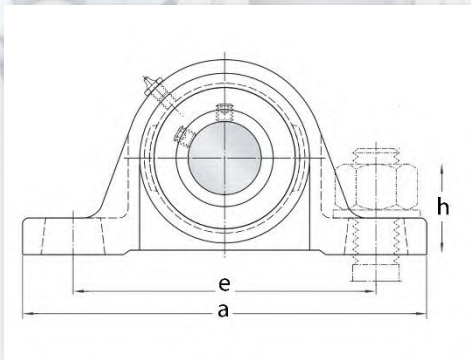


Designation	Principal Dimensions				
	mm				Mass kg
	d(Shaft Diameter)	h	a	e	
UCP201	12	30.2	127	95	0.65
UCP202	15	30.2	127	95	0.63
UCP203	17	30.2	127	95	0.62
UCP204	20	33.3	127	95	0.65
UCP205	25	36.5	140	105	0.79
UCP206	30	42.9	165	121	1.3
UCP207	35	47.6	167	127	1.6
UCP208	40	49.2	184	137	2
UCP209	45	54	190	146	2.3
UCP210	50	57.2	206	159	2.7
UCP211	55	63.5	219	171	3.3
UCP212	60	69.8	241	184	4.7
UCP213	65	76.2	265	203	5.6
UCP214	70	79.4	266	210	7.3
UCP215	75	82.6	275	217	7.9
UCP216	80	88.9	292	232	10
UCP217	85	95.2	310	247	12.2
UCP218	90	101.6	327	262	14.7

Note:

For Reference Purpose Only. Mentioned Speed Ratings are with Oil Lubrication. For Grease Lubrication, please use 75% of the indicated values.

UCP300 Series: Pillow Block Units Single Row

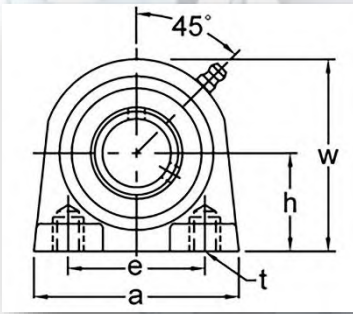


Designation	Principal Dimensions				
	mm				Mass kg
	d(Shaft Diameter)	h	a	e	
UCP305	45	175	132	25	1.6
UCP306	50	180	140	30	1.9
UCP307	56	210	160	35	2.7
UCP308	60	220	170	40	3.3
UCP309	67	245	190	45	4.5
UCP310	75	275	212	50	6.2
UCP311	80	310	236	55	7.7
UCP312	85	330	250	60	9.3
UCP313	90	340	260	65	9.8
UCP314	95	360	280	70	11.4
UCP315	100	380	290	75	13.6
UCP316	106	400	300	80	16.4
UCP317	112	420	320	85	18.6
UCP318	118	430	330	90	20.9
UCP319	125	470	360	95	26.5
UCP320	140	490	380	100	34.3

Note:

For Reference Purpose Only. Mentioned Speed Ratings are with Oil Lubrication. For Grease Lubrication, please use 75% of the indicated values.

UCPA200 Series – Pillow Block Units

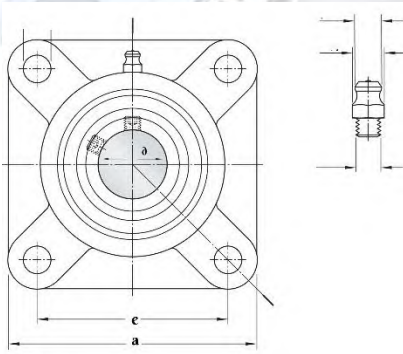


Designation	Principal Dimensions						
	mm						Mass kg
	(d) Shaft Diameter	h	a	e	b	w	
UCPA201	12	30.2	76	52	38	62	0.6
UCPA202	15	30.2	76	52	38	62	0.59
UCPA203	17	30.2	76	52	38	62	0.58
UCPA204	20	30.2	76	52	38	62	0.56
UCPA205	25	36.5	84	56	38	72	0.83
UCPA206	30	42.9	94	66	48	84	1.12
UCPA207	35	47.6	110	80	48	95	1.48
UCPA208	40	49.2	116	84	54	100	1.89
UCPA209	45	54.2	120	90	54	108	1.98
UCPA210	50	57.2	130	94	60	116	2.16
UCPA211	55	63.5				125	3.26
UCPA212	60	69.9				138	4.19

Note:

For Reference Purpose Only. Mentioned Speed Ratings are with Oil Lubrication. For Grease Lubrication, please use 75% of the indicated values.

UCF200 Series: Square Flange Units

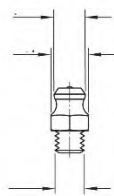
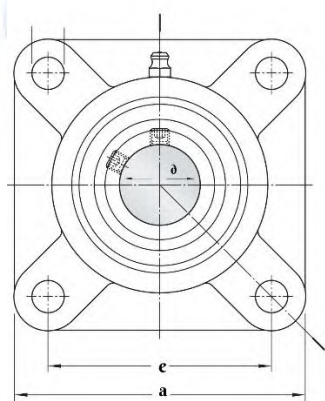


Principal dimensions				
Designation	a	e	Shaft Dia (d)	Mass
	mm			kg
UCF201	86	64	12	0.64
UCF202	86	64	15	0.62
UCF203	86	64	17	0.61
UCF204	86	64	20	0.59
UCF205	95	70	25	0.82
UCF206	108	83	30	1.1
UCF207	117	92	35	1.5
UCF208	130	102	40	2
UCF209	137	105	45	2.4
UCF210	143	111	50	2.5
UCF211	162	130	55	3.4
UCF212	175	143	60	4.6
UCF213	187	149	65	5.5
UCF214	193	152	70	6.1
UCF215	200	159	75	6.9
UCF216	208	165	80	7.8
UCF217	220	175	85	9.3
UCF218	235	187	90	11.3

Note:

For Reference Purpose Only. Mentioned Speed Ratings are with Oil Lubrication. For Grease Lubrication, please use 75% of the indicated values.

UCF300 Series: Square Flange Units

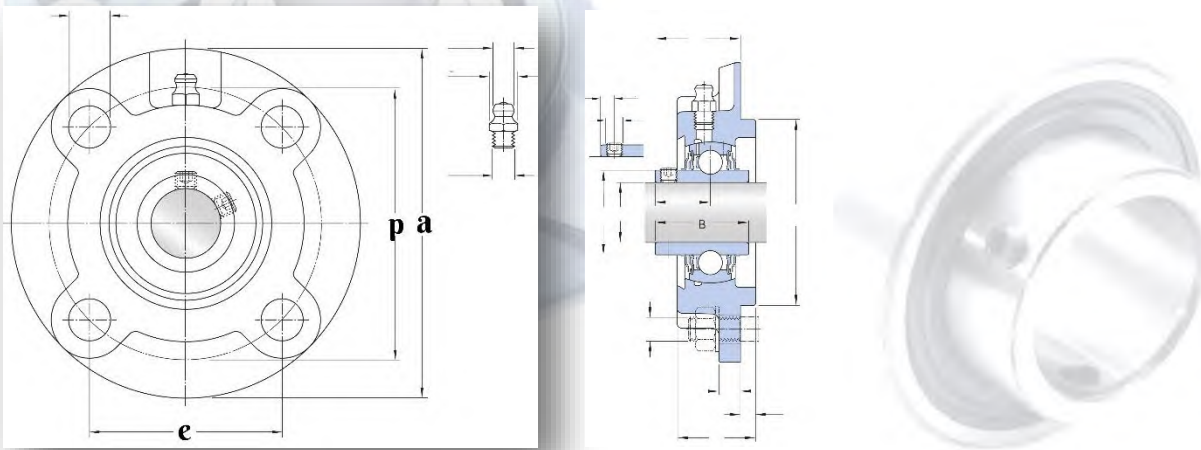


Principal dimensions				
Designation	a	e	Shaft Dia (d)	Mass
		mm		kg
UCF305	110	80	25	1.2
UCF306	125	95	30	1.7
UCF307	135	100	35	2.1
UCF308	150	112	40	2.9
UCF309	160	125	45	3.6
UCF310	175	132	50	4.7
UCF311	185	140	55	5.7
UCF312	195	150	60	6.8
UCF313	208	166	65	7.8
UCF314	226	178	70	9.6
UCF315	236	184	75	11.7
UCF316	250	196	80	13.7
UCF317	260	204	85	15.2
UCF318	280	216	90	18.8
UCF319	290	228	95	20.7
UCF320	310	242	100	24.8

Note:

For Reference Purpose Only. Mentioned Speed Ratings are with Oil Lubrication. For Grease Lubrication, please use 75% of the indicated values.

UCFC200 Series: Flange Cartridge Units



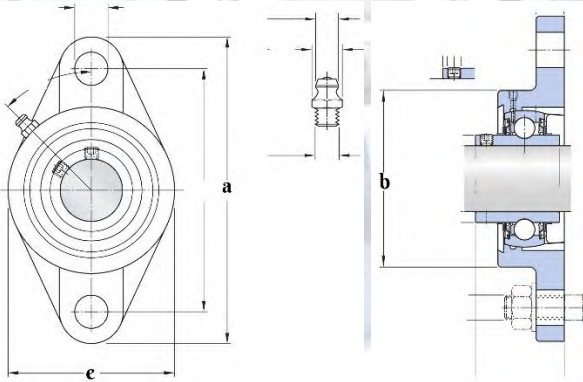
Principal dimensions						
Designation	Shaft Dia (d)	mm				Mass Kg
		a	p	e	B	
UCFC201	12	100	78	55.1	31	0.730
UCFC202	15	100	78	55.1	31	0.720
UCFC203	17	100	78	55.1	31	0.710
UCFC204	20	100	78	55.1	31	0.690
UCFC205	25	115	90	63.6	34.1	1.000
UCFC206	30	125	100	70.7	38.1	1.300
UCFC207	35	135	110	77.8	42.9	1.810
UCFC208	40	145	120	84.8	49.2	2.140
UCFC209	45	160	132	93.3	49.2	2.680
UCFC210	50	165	138	97.6	51.6	2.900
UCFC211	55	185	150	106.1	55.6	4.010
UCFC212	60	195	160	113.1	65.1	4.940
UCFC213	65	205	170	120.2	65.1	5.650
UCFC214	70	215	177	125.1	74.6	6.950
UCFC215	75	220	184	130.1	77.8	7.560
UCFC216	80	240	200	141.4	82.6	9.150
UCFC217	85	250	208	147.1	85.7	10.810
UCFC218	90	265	220	155.5	96	12.960



Note:

For Reference Purpose Only. Mentioned Speed Ratings are with Oil Lubrication. For Grease Lubrication, please use 75% of the indicated values.

UCFL200 Series: Oval Flange Units



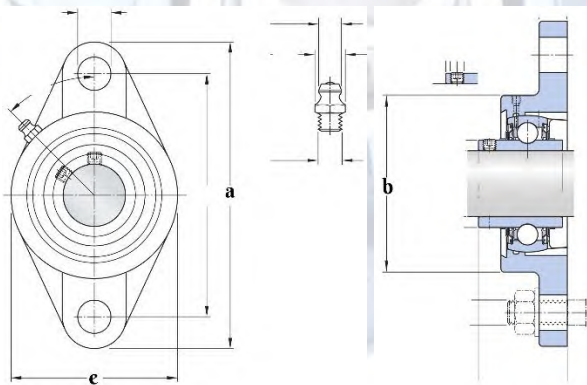
Principal dimensions					
Designation	mm				Mass kg
	Shaft Dia (d)	a	e	b	
UCFL201	12	113	90	60	0.500
UCFL202	15	113	90	60	0.480
UCFL203	17	113	90	60	0.470
UCFL204	20	113	90	60	0.450
UCFL205	25	130	99	68	0.630
UCFL206	30	148	117	80	0.960
UCFL207	35	161	130	90	1.200
UCFL208	40	175	144	100	1.600
UCFL209	45	188	148	108	1.900
UCFL210	50	197	157	115	2.200
UCFL211	55	224	184	130	3.200
UCFL212	60	250	202	140	4.100
UCFL213	65	258	210	155	5.100
UCFL214	70	265	216	160	6.000
UCFL215	75	275	225	165	6.500
UCFL216	80	290	233	180	8.000
UCFL217	85	305	248	190	9.500
UCFL218	90	320	265	205	11.900



Note:

For Reference Purpose Only. Mentioned Speed Ratings are with Oil Lubrication. For Grease Lubrication, please use 75% of the indicated values.

UCFL300 Series: Oval Flange Units

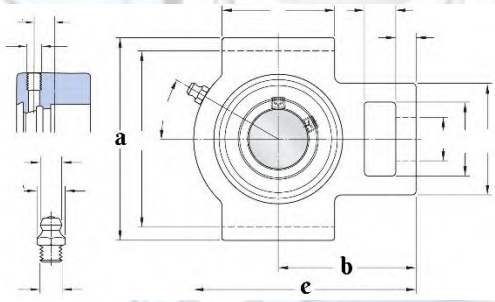


Principal dimensions					
Designation	mm				Mass kg
	Shaft Dia (d)	a	e	b	
UCFL305	25	150	113	80	1.100
UCFL306	30	180	134	90	1.500
UCFL307	35	185	141	100	1.800
UCFL308	40	200	158	112	2.400
UCFL309	45	230	177	125	3.400
UCFL310	50	240	187	140	4.300
UCFL311	55	250	198	150	5.100
UCFL312	60	270	212	160	6.200
UCFL313	65	295	240	175	7.400
UCFL314	70	315	250	185	9.000
UCFL315	75	320	260	195	10.000
UCFL316	80	355	285	210	12.600
UCFL317	85	370	300	220	14.500
UCFL318	90	385	315	235	17.100
UCFL319	95	405	330	250	21.800
UCFL320	100	440	360	270	26.500

Note:

For Reference Purpose Only. Mentioned Speed Ratings are with Oil Lubrication. For Grease Lubrication, please use 75% of the indicated values.

UCT200 Series: Take-Up Units

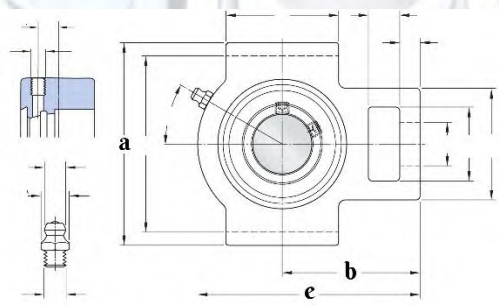


Principal dimensions					
Designation	mm				Mass kg
	Shaft Dia (d)	a	e	b	
UCT201	12	89	94	61	0.790
UCT202	15	89	94	61	0.770
UCT203	17	89	94	61	0.760
UCT204	20	89	94	61	0.740
UCT205	25	89	97	62	0.820
UCT206	30	102	113	70	1.300
UCT207	35	102	129	78	1.600
UCT208	40	114	144	88	2.400
UCT209	45	117	144	87	2.400
UCT210	50	117	149	90	2.500
UCT211	55	146	171	106	4.000
UCT212	60	146	194	119	5.100
UCT213	65	167	224	137	7.000
UCT214	70	167	224	137	7.100
UCT215	75	167	232	140	7.500
UCT216	80	184	235	140	8.500
UCT217	85	198	260	162	11.200

Note:

For Reference Purpose Only. Mentioned Speed Ratings are with Oil Lubrication. For Grease Lubrication, please use 75% of the indicated values.

UCT300 Series: Take-Up Units

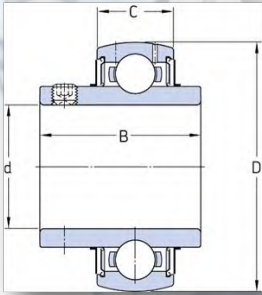


Principal dimensions					
Designation	mm				Mass kg
	Shaft Dia (d)	a	e	b	
UCT305	25	89	122	76	1.400
UCT306	30	100	137	85	1.800
UCT307	35	111	150	94	2.400
UCT308	40	124	162	100	3.000
UCT309	45	138	178	110	4.100
UCT310	50	151	191	117	5.200
UCT311	55	163	207	127	6.400
UCT312	60	178	220	135	7.600
UCT313	65	190	238	146	9.200
UCT314	70	202	252	155	11.200
UCT315	75	216	262	160	13.000
UCT316	80	230	282	174	15.600
UCT317	85	240	298	183	19.300
UCT318	90	255	312	192	21.200
UCT319	95	270	322	197	24.400
UCT320	100	290	345	210	30.600

Note:

For Reference Purpose Only. Mentioned Speed Ratings are with Oil Lubrication. For Grease Lubrication, please use 75% of the indicated values.

UC200 Inch Series: Ball Bearings

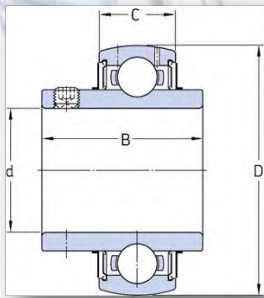


Designation	Principal dimensions				Basic Load Ratings		Mass
	inch				Dynamic	Static	
	Shaft Dia (d)	D	B	C	C N	C0	kg
UC201-8	3/4	1.8504	1.2205	0.6693	9880	6200	0.190
UC202-9	9/16	1.8504	1.2205	0.6693	9880	6200	0.180
UC202-10	5/8	1.8504	1.2205	0.6693	9880	6200	0.180
UC203-11	11/16	1.8504	1.2205	0.6693	9880	6200	0.170
UC204-12	3/4	1.8504	1.2205	0.6693	9880	6200	0.150
UC205-13	13/16	2.00472	1.3425	0.6693	10780	6980	0.180
UC205-14	7/8	2.00472	1.3425	0.6693	10780	6980	0.180
UC205-15	15/16	2.00472	1.3425	0.6693	10780	6980	0.180
UC205-16	1	2.00472	1.3425	0.6693	10780	6980	0.180
UC206-17	1-1/16	2.4409	1.5	0.748	14970	10040	0.310
UC206-18	1-1/8	2.4409	1.5	0.748	14970	10040	0.310
UC206-19	1-3/16	2.4409	1.5	0.748	14970	10040	0.310
UC206-20	1-1/4	2.4409	1.5	0.748	14970	10040	0.310
UC207-20	1-1/4	2.8346	1.689	0.7874	19750	13670	0.430
UC207-21	1-5/16	2.8346	1.689	0.7874	19750	13670	0.430
UC207-22	1-3/8	2.8346	1.689	0.7874	19750	13670	0.430
UC207-23	1-7/16	2.8346	1.689	0.7874	19750	13670	0.430
UC208-24	1-1/12	3.1496	1.937	0.8268	22710	15940	0.580
UC208-25	1-9/16	3.1496	1.937	0.8268	22710	15940	0.580
UC209-26	1-5/8	3.3465	1.937	0.8661	24360	17710	0.660
UC209-27	1-11/16	3.3465	1.937	0.8661	24360	17710	0.660
UC209-28	1-3/4	3.3465	1.937	0.8661	24360	17710	0.660
UC210-29	1-13/16	3.5433	2.0315	0.9449	26980	19840	0.720
UC210-30	1-7/8	3.5433	2.0315	0.9449	26980	19840	0.720
UC210-31	1-15/16	3.5433	2.0315	0.9449	26980	19840	0.720
UC210-32	2	3.5433	2.0315	0.9449	26980	19840	0.720

Note:

For Reference Purpose Only. Mentioned Speed Ratings are with Oil Lubrication. For Grease Lubrication, please use 75% of the indicated values.

UC200 Inch Series: Ball Bearings ...cont

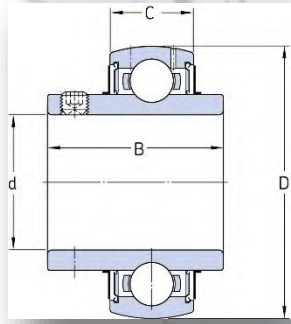


Designation	Principal dimensions				Basic Load Ratings		Mass
	inch				Dynamic	Static	
	Shaft Dia (d)	D	B	C	C N	C ₀	kg
UC211-32	2	3.937	2.189	0.9843	33370	25110	0.980
UC211-33	2-1/16	3.937	2.189	0.9843	33370	25110	0.980
UC211-34	2-1/8	3.937	2.189	0.9843	33370	25110	0.980
UC211-35	2-3/16	3.937	2.189	0.9843	33370	25110	0.980
UC212-36	2-1/4	4.3307	2.563	1.063	36740	27970	1.400
UC212-37	2-5/16	4.3307	2.563	1.063	36740	27970	1.400
UC212-38	2-3/8	4.3307	2.563	1.063	36740	27970	1.400
UC212-39	2-7/16	4.3307	2.563	1.063	36740	27970	1.400
UC213-40	2-1/2	4.3307	2.563	1.1024	44010	34180	1.650
UC213-41	2-9/16	4.3307	2.563	1.1024	44010	34180	1.650
UC214-42	2-5/8	4.9213	2.937	1.1417	46790	37590	1.650
UC214-43	2-11/16	4.9213	2.937	1.1417	46790	37590	1.650
UC214-44	2-3/4	4.9213	2.937	1.1417	46790	37590	1.650
UC215-45	2-13/16	5.1181	3.063	1.1811	50850	41260	2.140
UC215-46	2-7/8	5.1181	3.063	1.1811	50850	41260	2.140
UC215-47	2-15/16	5.1181	3.063	1.1811	50850	41260	2.140
UC215-48	3	5.1181	3.063	1.1811	50850	41260	2.140
UC216-49	3-1/16	5.5118	3.252	1.2598	55040	45090	2.719
UC216-50	3-1/8	5.5118	3.252	1.2598	55040	45090	2.719
UC216-51	3-3/16	5.5118	3.252	1.2598	55040	45090	2.719
UC217-52	3-1/4	5.9055	3.374	1.3386	64010	53280	3.240
UC217-53	3-5/16	5.9055	3.374	1.3386	64010	53280	3.240
UC217-55	3-7/16	5.9055	3.374	1.3386	64010	53280	3.240
UC218-56	3-1/2	6.2992	3.7795	1.4173	73830	60760	3.870

Note:

For Reference Purpose Only. Mentioned Speed Ratings are with Oil Lubrication. For Grease Lubrication, please use 75% of the indicated values.

UC300 Inch Series: Ball Bearings

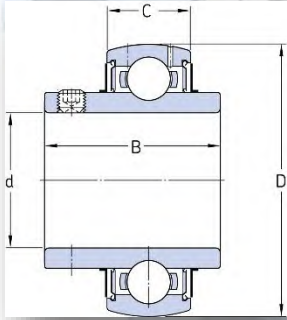


Designation	Principal dimensions				Basic Load Ratings		Mass kg
	inch				Dynamic C N	Static C0	
	Shaft Dia (d)	D	B	C			
UC305-13	13/16	2.4409	1.4961	0.7874	17220	11930	0.31
UC305-14	7/8	2.4409	1.4961	0.7874	17220	11930	0.31
UC305-15	15/16	2.4409	1.4961	0.7874	17220	11930	0.31
UC305-16	1	2.4409	1.4961	0.7874	17220	11930	0.31
UC306-17	1-1/16	2.8346	1.6929	0.9055	20770	14170	0.51
UC306-18	1-1/8	2.8346	1.6929	0.9055	20770	14170	0.51
UC306-19	1-3/16	2.8346	1.6929	0.9055	20770	14170	0.51
UC307-20	1-1/4	3.1496	1.8898	0.9843	25660	17920	0.64
UC307-21	1-5/16	3.1496	1.8898	0.9843	25660	17920	0.64
UC307-22	1-3/8	3.1496	1.8898	0.9843	25660	17920	0.64
UC307-23	1-7/16	3.1496	1.8898	0.9843	25660	17920	0.64
UC308-24	1-1/2	3.5433	2.0472	1.063	31350	22380	0.89
UC308-25	1-9/16	3.5433	2.0472	1.063	31350	22380	0.89
UC309-26	1-5/8	3.937	2.2441	1.1811	40660	30000	1.2
UC309-27	1-11/16	3.937	2.2441	1.1811	40660	30000	1.2
UC309-28	1-3/4	3.937	2.2441	1.1811	40660	30000	1.2
UC310-29	1-13/16	4.3307	2.4016	1.2598	47580	35710	1.53
UC310-30	1-7/8	4.3307	2.4016	1.2598	47580	35710	1.53

Note:

For Reference Purpose Only. Mentioned Speed Ratings are with Oil Lubrication. For Grease Lubrication, please use 75% of the indicated values.

UC300 Inch Series: Ball Bearings

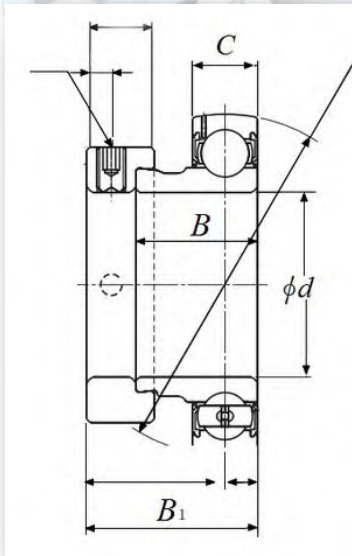


Designation	Principal dimensions				Basic Load Ratings		Mass
	inch				Dynamic	Static	
	Shaft Dia (d)	D	B	C	C N	C0	kg
UC310-31	1-15/16	4.3307	2.4016	1.2598	47580	35710	1.530
UC311-32	2	4.7244	2.5984	1.3386	55050	41910	1.840
UC311-33	2-1/16	4.7244	2.5984	1.3386	55050	41910	1.840
UC311-34	2-1/8	4.7244	2.5984	1.3386	55050	41910	1.840
UC311-35	2-3/16	4.7244	2.5984	1.3386	55050	41910	1.840
UC312-36	2-1/4	5.1181	2.7953	1.4173	62880	48600	2.320
UC312-37	2-5/16	5.1181	2.7953	1.4173	62880	48600	2.320
UC312-38	2-3/8	5.1181	2.7953	1.4173	62880	48600	2.320
UC312-39	2-7/16	5.1181	2.7953	1.4173	62880	48600	2.320
UC313-40	2-1/2	5.5118	2.9528	1.4961	72210	56680	2.500
UC313-41	2-9/16	5.5118	2.9528	1.4961	72210	56680	2.500
UC314-42	2-5/8	5.9055	3.0708	1.5748	80100	63480	2.500
UC314-43	2-11/16	5.9055	3.0708	1.5748	80100	63480	2.500
UC314-44	2-3/4	5.9055	3.0708	1.5748	80100	63480	2.500
UC315-45	2-13/16	6.2992	3.2283	1.6535	87250	71670	4.260
UC315-46	3-7/8	6.2992	3.2283	1.6535	87250	71670	4.260
UC315-47	2-15/16	6.2992	3.2283	1.6535	87250	71670	4.260
UC315-48	3	6.2992	3.2283	1.6535	87250	71670	4.260
UC316-49	3-1/16	6.6929	3.3858	1.7323	94570	80350	5.020
UC316-50	3-1/8	6.6929	3.3858	1.7323	94570	80350	5.020
UC316-51	3-3/16	6.6929	3.3858	1.7323	94570	80350	5.020
UC317-52	3-1/4	7.0866	3.7795	1.811	102050	89520	6.670
UC317-53	3-5/16	7.0866	3.7795	1.811	102050	89520	6.670
UC317-55	3-7/16	7.0866	3.7795	1.811	102050	89520	6.670
UC318-55	3-7/16	7.4803	3.7795	1.8898	110810	100760	7.560
UC318-56	3-1/2	7.4803	3.7795	1.8898	110810	100760	7.560
UC319-58	3-5/8	7.874	4.0551	1.9685	120510	103750	8.700
UC319-59	3-11/16	7.874	4.0551	1.9685	120510	103750	8.700
UC319-60	3-3/4	7.874	4.0551	1.9685	120510	103750	8.700
UC319-59	3-11/16	7.874	4.0551	1.9685	120510	103750	8.700
UC319-60	3-3/4	7.874	4.0551	1.9685	120510	103750	8.700

Note:

For Reference Purpose Only. Mentioned Speed Ratings are with Oil Lubrication. For Grease Lubrication, please use 75% of the indicated values.

AEL200 Inch Series: Ball Bearings

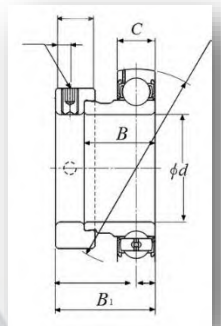


Designation	Principal dimensions					Basic Load		Mass
	mm					Dynamic	Static	
	Shaft Dia (d)	D	B1	B	C	C	C0	kg
AEL201	12	40	28.6	19.1	12	7360	4480	0.120
AEL202	15	40	28.6	19.1	12	7360	4480	0.100
AEL203	17	40	28.6	19.1	12	7360	4480	0.090
AEL204	20	47	31	21.5	14	9880	6200	0.160
AEL205	25	52	31	21.5	15	10780	6980	0.200
AEL206	30	62	35.7	23.8	16	14970	10040	0.300
AEL207	35	72	38.9	25.4	17	19750	13670	0.420
AEL208	40	80	43.7	30.2	18	22710	15940	0.600
AEL209	45	85	43.7	30.2	19	24360	17710	0.670
AEL210	50	90	43.7	30.2	20	26980	19840	0.750
AEL211	55	100	48.4	32.5	21	33370	25110	1.260
AEL212	60	110	53.1	37.2	22	36740	27970	1.700

Note:

For Reference Purpose Only. Mentioned Speed Ratings are with Oil Lubrication. For Grease Lubrication, please use 75% of the indicated values.

AEL200 Inch Series: Ball Bearings

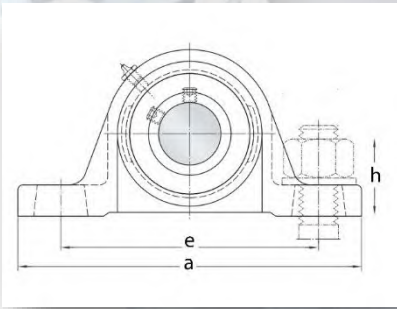


Principal dimensions						Basic Load Ratings		Mass
Designation	mm					Dynamic	Static	
	Shaft Dia (d)	D	B1	B	C	C N	C0	kg
AEL201-8	3/4	1.5748	1.126	0.752	0.4724	7360	4480	0.120
AEL209-9	9/16	1.5748	1.126	0.752	0.4724	7360	4480	0.100
AEL209-10	5/8	1.5748	1.126	0.752	0.4724	7360	4480	0.100
AEL203-11	11/16	1.5748	1.126	0.752	0.4724	7360	4480	0.100
AEL204-12	3/4	1.8504	1.22	0.8465	0.5512	9980	6200	0.090
AEL205-13	13/16	2.0472	1.22	0.8465	0.5906	10780	6980	0.090
AEL205-14	7/8	2.0472	1.22	0.8465	0.5906	10780	6980	0.090
AEL205-15	15/16	2.0472	1.22	0.8465	0.5906	10780	6980	0.090
AEL205-16	1	2.0472	1.22	0.8465	0.5906	10780	6980	0.090
AEL206-17	1-1/16	2.4409	1.406	0.937	0.6299	14970	10040	0.300
AEL206-18	1-1/8	2.4409	1.406	0.937	0.6299	14970	10040	0.300
AEL206-19	1-3/16	2.4409	1.406	0.937	0.6299	14970	10040	0.300
AEL206-20	1-1/4	2.4409	1.406	0.937	0.6299	14970	10040	0.300
AEL207-20	1-1/4	2.8346	1.531	1	0.6693	19750	13670	0.420
AEL207-21	1-5/16	2.8346	1.531	1	0.6693	19750	13670	0.420
AEL207-22	1-3/8	2.8346	1.531	1	0.6693	19750	13670	0.420
AEL207-23	1-7/16	2.8346	1.531	1	0.6693	19750	13670	0.420
AEL208-24	1-1/2	3.1496	1.721	1.189	0.7087	22710	15940	0.600
AEL208-25	1-9/16	3.1496	1.721	1.189	0.7087	22710	15940	0.600
AEL209-26	1-5/8	3.3465	1.721	1.189	0.748	24360	17710	0.600
AEL209-27	1-11/16	3.3465	1.721	1.189	0.748	24360	17710	0.600
AEL209-28	1-3/4	3.3465	1.721	1.189	0.748	24360	17710	0.600
AEL210-29	1-13/16	3.5433	1.721	1.189	0.7874	26980	19840	0.750
AEL210-30	1-7/8	3.5433	1.721	1.189	0.7874	26980	19840	0.750
AEL210-31	1-15/16	3.5433	1.721	1.189	0.7874	26980	19840	0.750
AEL210-32	2	3.5433	1.721	1.189	0.7874	26980	19840	0.750
AEL211-32	2	3.937	1.906	1.2795	0.8268	33370	25110	1.260
AEL211-33	2-1/16	3.937	1.906	1.2795	0.8268	33370	25110	1.260
AEL211-34	2-1/8	3.937	1.906	1.2795	0.8268	33370	25110	1.260
AEL211-35	2-3/16	3.937	1.906	1.2795	0.8268	33370	25110	1.260
AEL212-36	2-1/4	4.3307	2.091	1.4646	0.8661	36740	27970	1.700
AEL212-37	2-5/16	4.3307	2.091	1.4646	0.8661	36740	27970	1.700
AEL212-38	2-3/8	4.3307	2.091	1.4646	0.8661	36740	27970	1.700
AEL212-39	2-7/16	4.3307	2.091	1.4646	0.8661	36740	27970	1.700

Note:

For Reference Purpose Only. Mentioned Speed Ratings are with Oil Lubrication. For Grease Lubrication, please use 75% of the indicated values.

UCP200 Inch Series: Pillow Block Units

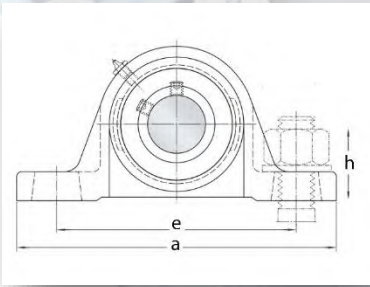


Designatio n	Principal dimensions				Mass kg
	Shaft Dia (d)	h	a	e	
UCP201-8	1/2	1-3/8	5	3-3/4	0.610
UCP202-9	9/16	1-3/8	5	3-3/4	0.610
UCP202-10	5/8	1-3/8	5	3-3/4	0.610
UCP203-11	11/16	1-3/8	5	3-3/4	0.610
UCP204-12	3/4	1-5/16	5	3-3/4	0.660
UCP205-14	7/8	1-7/16	5-1/2	4-1/8	0.800
UCP205-15	15/16	1-7/16	5-1/2	4-1/8	0.800
UCP205-16	1	1-7/16	5-1/2	4-1/8	0.800
UCP206-17	1-1/16	1-11/16	6-1/2	4-3/4	1.300
UCP206-18	1-1/8	1-11/16	6-1/2	4-3/4	1.300
UCP206-19	1-3/16	1-11/16	6-1/2	4-3/4	1.300
UCP207-20	1-1/4	1-7/8	6-9/16	5	1.600
UCP207-21	1-5/16	1-7/8	6-9/16	5	1.600
UCP207-22	1-3/8	1-7/8	6-9/16	5	1.600
UCP207-23	1-7/16	1-7/8	6-9/16	5	1.600
UCP208-24	1-1/2	1-15/16	7-1/4	5-3/8	2.000
UCP208-25	1-9/16	1-15/16	7-1/4	5-3/8	2.000
UCP209-26	1-5/8	2-1/8	7-1/2	5-3/4	2.200
UCP209-27	1-11/16	2-1/8	7-1/2	5-3/4	2.200
UCP209-28	1-3/4	2-1/8	7-1/2	5-3/4	2.200
UCP210-30	1-7/8	2-1/4	8-1/8	6-1/4	2.900
UCP210-31	1-15/16	2-1/4	8-1/8	6-1/4	2.900
UCP211-32	2	2-1/2	8-5/8	6-3/4	3.600
UCP211-34	2-1/8	2-1/2	8-5/8	6-3/4	3.600
UCP211-35	2-3/16	2-1/2	8-5/8	6-3/4	3.600
UCP212-36	2-1/4	2-3/4	9-1/2	7-1/4	4.900
UCP212-38	2-3/8	2-3/4	9-1/2	7-1/4	4.900
UCP212-39	2-3/8	2-3/4	9-1/2	7-1/4	4.900
UCP213-40	2-1/2	3	10-7/16	8	5.900
UCP214-44	2-3/4	3-1/8	10-1/2	8-1/4	6.800
UCP215-48	3	3-1/4	10-11/16	8-1/2	7.400

Note:

For Reference Purpose Only. Mentioned Speed Ratings are with Oil Lubrication. For Grease Lubrication, please use 75% of the indicated values.

UCP300 Inch Series: Pillow Block Bearings



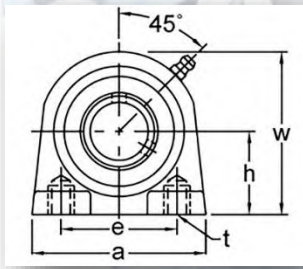
Designation	Principal dimensions				Mass kg
	inch				
	Shaft Dia (d)	h	a	e	
UCP305-14	7/8	1-49/64	6-7/8	5-1/4	1.600
UCP305-16	1	1-49/64	6-7/8	5-1/4	1.600
UCP306-18	1-1/8	1-31/32	7-1/6	5-1/2	1.900
UCP307-20	1-1/4	2-13/64	8-1/4	6-1/4	2.700
UCP307-22	1-3/8	2-13/64	8-1/4	6-1/4	2.700
UCP308-24	1-1/2	2-23/64	8-11/16	6-3/4	3.300
UCP309-26	1-5/8	2-41/64	9-5/8	7-1/2	4.500
UCP309-28	1-3/4	2-41/64	9-5/8	7-1/2	4.500
UCP310-30	1-7/8	2-61/64	10-13/16	8-3/8	6.200
UCP311-32	2	3-5/32	12-3/16	9-1/4	7.700
UCP311-34	2-1/8	3-5/32	12-3/16	9-1/4	7.700
UCP312-36	2-1/4	3-11/32	13	9-7/8	9.300
UCP312-38	2-3/8	3-11/32	13	9-7/8	9.300
UCP313-40	2-1/2	3-35/64	13-3/8	10-1/4	9.800
UCP314-44	2-3/4	3-47/64	14-3/16	11	11.400
UCP315-48	3	3-15/16	15	11-3/8	13.600
UCP316-50	3-1/8	4-11/64	15-3/4	11-3/4	16.400
UCP317-52	3-1/4	4-13/32	16-9/16	12-5/8	18.000
UCP318-56	3-1/2	4-41/64	16-15/16	13	20.900
UCP319-60	3-3/4	4-59/64	18-1/2	14-1/8	26.500
UCP320-64	4	5-33/64	19-5/16	15	34.300



Note:

For Reference Purpose Only. Mentioned Speed Ratings are with Oil Lubrication. For Grease Lubrication, please use 75% of the indicated values.

UCPA200 Inch Series: Pillow Block Units

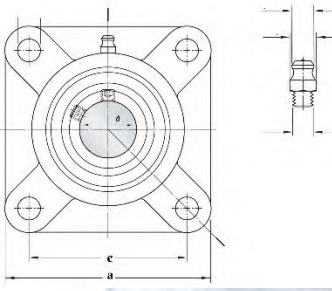


Principal dimensions						
Designation	inch					Mass Kg
	Shaft Dia (d)	h	W	w	b	
UCPA201-8	3/4	1-3/16	1-9/16	2-7/16	1.220	0.590
UCPA202-9	9/16	1-3/16	1-9/16	2-7/16	1.220	0.590
UCPA202-10	5/8	1-3/16	1-9/16	2-7/16	1.220	0.590
UCPA203-11	11/16	1-3/16	1-9/16	2-7/16	1.220	0.570
UCPA204-12	3/4	1-3/16	1-9/16	2-7/16	1.220	0.560
UCPA205-13	13/16	1-7/16	1-1/2	2-53/64	1.342	0.870
UCPA205-14	7/8	1-7/16	1-1/2	2-53/64	1.342	0.860
UCPA205-15	15/16	1-7/16	1-1/2	2-53/64	1.342	0.840
UCPA205-16	1	1-7/16	1-1/2	2-53/64	1.342	0.830
UCPA206-17	1-1/16	1-1/16	1-31/32	3-5/16	1.500	1.150
UCPA206-18	1-1/8	1-1/16	1-31/32	3-5/16	1.500	1.140
UCPA206-19	1-3/16	1-1/16	1-31/32	3-5/16	1.500	1.120
UCPA206-20	1-1/4	1-1/16	1-31/32	3-5/16	1.500	1.110
UCPA207-20	1-1/4	1-7/8	2-11/64	3-47/64	1.689	1.540
UCPA207-21	1-5/16	1-7/8	2-11/64	3-47/64	1.689	1.510
UCPA207-22	1-3/8	1-7/8	2-11/64	3-47/64	1.689	1.480
UCPA207-23	1-7/16	1-7/8	2-11/64	3-47/64	1.689	1.450
UCPA208-24	1-1/2	1-15/16	2-9/32	3-15/16	1.937	1.930
UCPA208-25	1-9/16	1-5/16	2-9/32	3-15/16	1.937	1.900
UCPA209-26	1-5/8	2-9/64	2-23/64	4-1/4	1.937	2.080
UCPA209-27	1-11/16	2-9/64	2-23/64	4-1/4	1.937	2.040
UCPA209-28	1-3/4	2-9/64	2-23/64	4-1/4	1.937	2.000
UCPA210-29	1-3/16	2-1/4	2-33/64	4-9/16	2.031	2.280
UCPA210-30	1-7/8	2-1/4	2-33/64	4-9/16	2.031	2.230
UCPA210-31	1-15/16	2-1/4	2-33/64	4-9/16	2.031	2.180
UCPA210-32	2	2-1/4	2-33/64	4-9/16	2.031	2.140
UCPA211-32	2	2-1/2	2-19/32	4-59/64	2.189	3.410
UCPA211-33	2-1/16	2-1/2	2-19/32	4-59/64	2.189	3.350
UCPA211-34	2-1/8	2-1/2	2-19/32	4-59/64	2.189	3.300
UCPA211-35	2-3/16	2-1/2	2-19/32	4-59/64	2.189	3.240
UCPA212-36	2-1/4	2-3/4	2-43/64	5-7/16	2.563	4.320
UCPA212-37	2-5/16	2-3/4	2-43/64	5-7/16	2.563	4.240
UCPA212-38	2-3/8	2-3/4	2-43/64	5-7/16	2.563	4.170
UCPA212-39	2-7/16	2-3/4	2-43/64	5-7/16	2.563	4.100

Note:

For Reference Purpose Only. Mentioned Speed Ratings are with Oil Lubrication. For Grease Lubrication, please use 75% of the indicated values.

UCF200 Inch Series: Square Flange Units

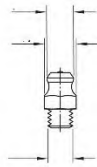
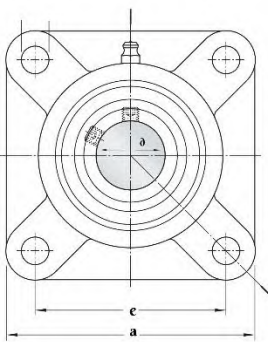


Designation	Principal dimensions			Mass kg
	Shaft Dia (d)	inch		
		a	e	
UCF201-8	1/2	3-3/8	2-1/2	0.620
UCF202-9	9/16	3-3/8	2-1/2	0.620
UCF202-10	5/8	3-3/8	2-1/2	0.620
UCF203-11	11/16	3-3/8	2-1/2	0.620
UCF204-12	3/4	3-3/8	2-1/2	0.620
UCF205-14	7/8	3-3/4	2-3/4	0.830
UCF205-15	15/16	3-3/4	2-3/4	0.830
UCF205-16	1	3-3/4	2-3/4	0.830
UCF206-17	1-1/16	4-1/4	3-1/4	1.100
UCF206-18	1-1/8	4-1/4	3-1/4	1.100
UCF206-19	1-3/16	4-1/4	3-1/4	1.100
UCF207-20	1-1/4	4-5/8	3-5/8	1.500
UCF207-21	1-5/16	4-5/8	3-5/8	1.500
UCF207-22	1-3/8	4-5/8	3-5/8	1.500
UCF207-23	1-7/16	4-5/8	3-5/8	1.500
UCF208-24	1-1/2	5-1/8	4	1.900
UCF208-25	1-9/16	5-1/8	4	1.900
UCF209-26	1-5/8	5-3/8	4-1/8	2.200
UCF209-27	1-11/16	5-3/8	4-1/8	2.200
UCF209-28	1-3/4	5-3/8	4-1/8	2.200
UCF210-30	1-7/8	5-5/8	4-3/8	2.500
UCF210-31	1-15/16	5-5/8	4-3/8	2.500
UCF211-32	2	6-3/8	5-1/8	3.400
UCF211-34	2-1/8	6-3/8	5-1/8	3.400
UCF211-35	2-3/16	6-3/8	5-1/8	3.400
UCF212-36	2-1/4	6-7/8	5-5/8	4.200
UCF212-38	2-3/8	6-7/8	5-5/8	4.200
UCF212-39	2-7/16	6-7/8	5-5/8	4.200
UCF213-40	2-1/2	7-3/8	5-7/8	5.200
UCF214-44	2-3/4	7-5/8	6	5.900
UCF215-48	3	7-7/8	6-1/4	6.400
UCF216-50	3-1/8	8-3/16	6-1/2	7.300
UCF217-52	3-1/4	8-11/16	6-7/8	8.900
UCF218-56	3-1/2	9-1/4	7-3/8	11.400

Note:

For Reference Purpose Only. Mentioned Speed Ratings are with Oil Lubrication. For Grease Lubrication, please use 75% of the indicated values.

UCF300 Inch Series: Square Flange Units

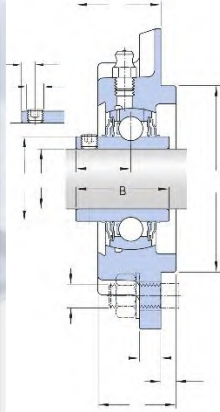
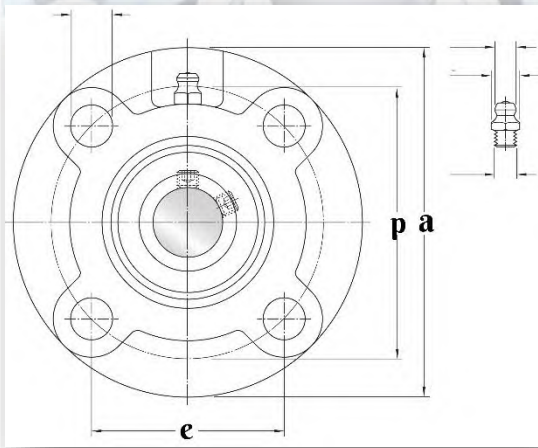


Principal dimensions				
Designation	inch			Mass kg
	Shaft Dia (d)	a	e	
UCF305-14	7/8	4-5/16	3-5/32	1.200
UCF305-16	1	4-5/16	3-5/32	1.200
UCF306-18	1-1/8	4-15/16	3-47/64	1.560
UCF307-20	1-1/4	5-5/16	3-15/16	2.100
UCF307-22	1-3/8	5-5/16	3-15/16	2.100
UCF308-24	1-1/2	5-7/8	4-13/32	2.900
UCF309-26	1-5/8	6-5/16	4-59/64	3.600
UCF309-28	1-3/4	6-5/16	4-59/64	3.600
UCF310-30	1-7/8	6-7/8	5-13/64	4.700
UCF311-32	2	7-5/16	5-33/64	5.700
UCF311-34	2-1/8	7-5/16	5-33/64	5.700
UCF312-36	2-1/4	7-11/16	5-29/32	6.800
UCF312-38	2-3/8	7-11/16	5-29/32	6.800
UCF313-40	2-1/2	8-3/16	6-17/32	7.800
UCF314-44	2-3/4	8-7/8	7-1/64	9.600
UCF315-48	3	9-5/16	7-1/4	11.700
UCF316-50	3-1/8	9-11/16	7-23/32	13.700
UCF317-52	3-1/4	10-1/4	8-1/32	15.200
UCF318-56	3-1/2	11	8-1/2	18.800
UCF319-60	3-3/4	11-7/16	8-31/32	20.700
UCF320-64	4	12-3/16	9-17/32	24.800

Note:

For Reference Purpose Only. Mentioned Speed Ratings are with Oil Lubrication. For Grease Lubrication, please use 75% of the indicated values.

UCFC200 Inch Series: Flange Cartridge Units

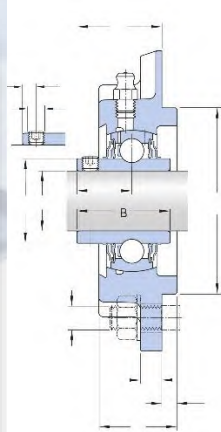
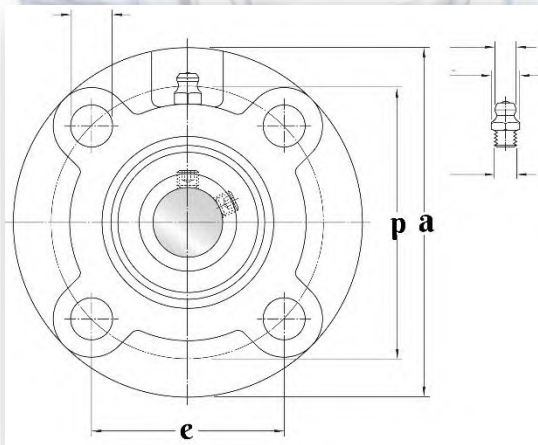


Principal dimensions						
Designation	Inch					Mass kg
	Shaft Dia (d)	a	p	e	B	
UCFC201-8	3-4	3-15/16	3-5/64	2-11/64	1.220	0.720
UCFC202-9	9/16	3-15/16	3-5/64	3-5/64	1.220	0.720
UCFC202-10	5/8	3-15/16	3-5/64	2-11/64	1.220	0.720
UCFC203-11	11/16	3-15/16	3-5/64	2-11/64	1.220	0.700
UCFC204-12	3/4	3-15/16	3-5/64	2-11/64	1.220	0.690
UCFC205-13	13/16	4-17/32	3-35/64	2-1/2	1.342	1.040
UCFC205-14	7/8	4-17/32	3-35/64	2-1/2	1.342	1.030
UCFC205-15	15/16	4-17/32	3-35/64	2-1/2	1.342	1.010
UCFC205-16	1	4-17/32	3-35/64	2-1/2	1.342	1.000
UCFC206-17	1-1/16	4-59/64	3-15/16	2-25/32	1.500	1.310
UCFC206-18	1-1/8	4-59/64	3-15/16	2-25/32	1.500	1.320
UCFC206-19	1-3/16	4-59/64	3-15/16	2-25/32	1.500	1.300
UCFC206-20	1-1/4	4-59/64	3-15/16	2-25/32	1.500	1.290
UCFC207-20	1-1/4	5-5/16	4-21/64	3-1/16	1.689	1.870
UCFC207-21	1-5/16	5-5/16	4-21/64	3-1/16	1.689	1.840
UCFC207-22	1-3/8	5-5/16	4-21/64	3-1/16	1.689	1.810
UCFC207-23	1-7/16	5-5/16	4-21/64	3-1/16	1.689	1.780
UCFC208-24	1-1/2	5-45/64	4-23/32	3-11/32	1.937	2.180
UCFC208-25	1-9/16	5-45/64	4-23/32	3-11/32	1.937	2.150
UCFC209-26	1-5/8	6-19/64	5-13/64	3-43/64	1.937	2.780
UCFC209-27	1-1/16	6-19/64	5-13/64	3-43/64	1.937	2.740
UCFC209-28	1-3/4	6-19/64	5-13/64	3-43/64	1.937	2.700
UCFC210-29	1-13/16	6-1/2	5-7/16	3-27/32	2.031	3.020
UCFC210-30	1-7/8	6-1/2	5-7/16	3-27/32	2.031	2.970
UCFC210-31	1-15/16	6-1/2	5-7/16	3-27/32	2.031	2.920
UCFC210-32	2	6-1/2	5-7/16	3-27/32	2.031	2.880

Note:

For Reference Purpose Only. Mentioned Speed Ratings are with Oil Lubrication. For Grease Lubrication, please use 75% of the indicated values.

UCFC200 Inch Series: Flange Cartridge Units

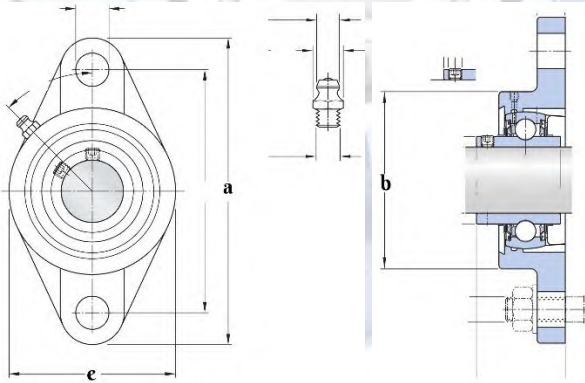


Principal dimensions						
Designation	Inch					Mass kg
	Shaft Dia (d)	a	p	e	B	
UCFC211-32	2	7-9/32	5-29/32	4-3/16	2.189	4.160
UCFC211-33	2-1/16	7-9/32	5-29/32	4-3/16	2.189	4.100
UCFC211-34	2-1/8	7-9/32	5-29/32	4-3/16	2.189	4.050
UCFC211-35	2.3/16	7-9/32	5-29/32	4-3/16	2.189	3.990
UCFC212-36	2-1/4	7-11/16	6-19/64	4-29/64	2.563	5.070
UCFC212-37	2-5/16	7-11/16	6-19/64	4-29/64	2.563	4.990
UCFC212-38	2-3/8	7-11/16	6-19/64	4-29/64	2.563	4.920
UCFC212-39	2-7/16	7-11/16	6-19/64	4-29/64	2.563	4.850
UCFC213-40	2-1/2	8-5/64	6-11/16	4-47/64	2.563	5.740
UCFC213-41	2-9/16	8-5/64	6-11/16	4-47/64	2.563	5.650
UCFC214-42	2-5/8	8-15/32	6-31/32	4-59/64	2.937	7.160
UCFC214-43	2-11/16	8-15/32	6-31/32	4-59/64	2.937	7.060
UCFC214-44	2-3/4	8-15/32	6-31/32	4-59/64	2.937	6.960
UCFC215-45	2-13/16	8-21/32	7-1/4	5-1/8	3.063	7.810
UCFC215-46	2-7/8	8-21/32	7-1/4	5-1/8	3.063	7.700
UCFC215-47	2-15/16	8-21/32	7-1/4	5-1/8	3.063	7.590
UCFC215-48	3	8-21/32	7-1/4	5-1/8	3.063	7.470
UCFC216-49	3-1/16	9-29/64	7-7/8	5-9/16	3.252	9.280
UCFC216-50	3-1/8	9-29/64	7-7/8	5-9/16	3.252	9.200
UCFC216-51	3-3/6	9-29/64	7-7/8	5-9/16	3.252	9.070
UCFC217-52	3-1/4	9-27/32	8-3/16	5-51/64	3.374	11.030
UCFC217-53	3-5/16	9-27/32	8-3/16	5-51/64	3.374	10.890
UCFC217-54	3-7/16	9-27/32	8-3/16	5-51/64	3.374	10.600
UCFC218-56	3-1/2	10-7/16	8-21/32	6-1/8	3.779	13.070

Note:

For Reference Purpose Only. Mentioned Speed Ratings are with Oil Lubrication. For Grease Lubrication, please use 75% of the indicated values.

UCFL200 Inch Series: Oval Flange Units

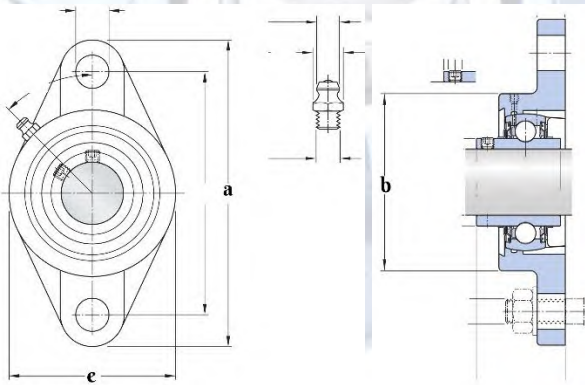


Principal dimensions					
Designation	Shaft Dia (d) inch	a inch	e	b	Mass kg
UCFL208-25	1-9/16	6-7/8	5-43/64	3-15/16	1.600
UCFL209-26	1-5/8	7-3/8	5-53/64	4-1/4	1.900
UCFL209-27	1-11/16	7-3/8	5-53/64	4-1/4	1.900
UCFL209-28	1-3/4	7-3/8	5-53/64	4-1/4	1.900
UCFL210-30	1-7/8	7-3/4	6-3/16	4-1/2	2.200
UCFL210-31	1-15/16	7-3/4	6-3/16	4-1/2	2.200
UCFL211-32	2	8-13/16	7-1/4	5-1/8	3.300
UCFL211-34	2-1/8	8-13/16	7-1/4	5-1/8	3.300
UCFL211-35	2-3/16	8-13/16	7-1/4	5-1/8	3.300
UCFL212-36	2-1/4	9-13/16	7-61/64	5-1/2	4.200
UCFL212-38	2-3/8	9-13/16	7-61/64	5-1/2	4.200
UCFL212-39	2-7/16	9-13/16	7-61/64	5-1/2	4.200
UCFL213-40	2-1/2	10-13/16	8-17/64	6-1/8	5.100
UCFL214-44	2-3/4	10-7/16	8-1/2	6-5/16	5.700
UCFL215-48	3	10-13/16	8-55/64	6-1/2	6.400
UCFL216-50	3-1/8	11-7/16	9-11/64	7-1/16	7.800

Note:

For Reference Purpose Only. Mentioned Speed Ratings are with Oil Lubrication. For Grease Lubrication, please use 75% of the indicated values.

UCFL300 Inch Series: Oval Flange Units

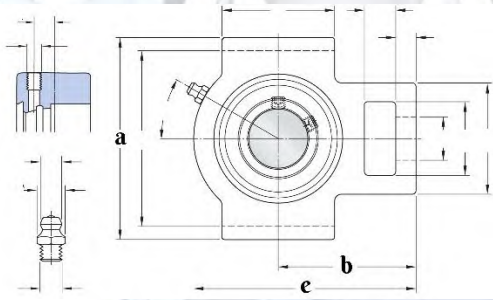


Principal dimensions					
Designation	Inch				Mass kg
	a	e	b	Shaft Dia (d)	
UCFL305-14	5-7/8	4-29/64	3-1/8	7/8	1.100
UCFL305-16	5-7/8	4-29/64	3-1/8	1	1.100
UCFL306-18	7-1/16	5-9/32	3-9/16	1-1/8	1.500
UCFL307-20	7-5/16	5-35/64	3-15/16	1-1/4	1.800
UCFL307-22	7-5/16	5-35/64	3-15/16	1-3/8	1.800
UCFL308-24	7-7/8	6-7/32	4-7/16	1-1/2	2.400
UCFL309-26	9-1/16	6-31/32	4-15/16	1-5/8	3.400
UCFL309-28	9-1/16	6-31/32	4-15/16	1-3/4	3.400
UCFL310-30	9-7/16	7-23/64	5-1/2	1-7/8	4.300
UCFL311-32	9-13/16	7-51/64	5-7/8	2	5.100
UCFL311-34	9-13/16	7-51/64	5-7/8	2-1/8	5.100
UCFL312-36	10-5/8	8-11/32	6-5/16	2-1/4	6.200
UCFL312-38	10-5/8	8-11/32	6-5/16	2-3/8	6.200
UCFL313-40	11-5/8	9-29/64	6-7/8	2-1/2	7.400
UCFL314-44	12-3/8	9-27/32	7-5/16	2-3/4	9.000
UCFL315-48	12-5/8	10-15/64	7-11/16	3	10.000
UCFL316-50	14	11-3/16	8-1/4	3-1/8	12.600
UCFL317-52	14-9/16	11-13/16	8-11/16	3-1/4	14.500
UCFL318-56	15-3/16	12-13/32	9-1/4	3-1/2	17.100
UCFL319-60	15-15/16	12-63/64	9-13/16	3-3/4	21.800
UCFL320-64	17-5/16	14-11/64	10-5/8	4	26.500

Note:

For Reference Purpose Only. Mentioned Speed Ratings are with Oil Lubrication. For Grease Lubrication, please use 75% of the indicated values.

UCT200 Inch Series: Single Row Take Up Units

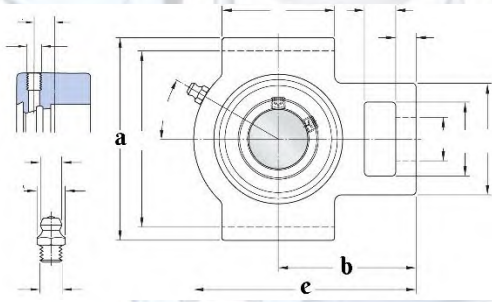


Principal dimensions					
Designation	Inch				Mass kg
	Shaft Dia (d)	a	w	h	
UCT203-11	11/16	3-1/2	3-11/16	2-13/32	0.790
UCT204-12	3/4	3-1/2	3-11/16	2-13/32	0.790
UCT205-14	7/8	3-1/2	3-11/16	2-7/16	0.840
UCT205-15	15/16	3-1/2	3-11/16	2-7/16	0.840
UCT205-16	1	3-1/2	3-11/16	2-7/16	0.840
UCT206-17	1-1/16	4	4-7/16	2-3/4	1.300
UCT206-18	1-1/8	4	4-7/16	2-3/4	1.300
UCT206-19	1-3/16	4	4-7/16	2-3/4	1.300
UCT207-20	1-1/4	4	5-1/16	3-1/16	1.600
UCT207-21	1-5/16	4	5-1/16	3-1/16	1.600
UCT207-22	1-3/8	4	5-1/16	3-1/16	1.600
UCT207-23	1-7/16	4	5-1/16	3-1/16	1.600
UCT208-24	1-1/2	4-1/2	5-11/16	3-15/32	2.500
UCT208-25	1-9/16	4-1/2	5-11/16	3-15/32	2.500
UCT209-26	1-5/8	4-5/8	5-11/16	3-7/16	2.400
UCT209-27	1-11/16	4-5/8	5-11/16	3-7/16	2.400
UCT209-28	1-3/4	4-5/8	5-11/16	3-7/16	2.400
UCT210-30	1-7/8	4-5/8	5-7/8	3-17/32	2.600
UCT210-31	1-15/16	4-5/8	5-7/8	3-17/32	2.600
UCT211-32	2	5-3/4	6-3/4	4-3/16	4.000
UCT211-34	2-1/8	5-3/4	6-3/4	4-3/16	4.000
UCT211-35	2-3/16	5-3/4	6-3/4	4-3/16	4.000
UCT212-36	2-1/4	5-3/4	7-5/8	4-11/16	4.900
UCT212-38	2-3/8	5-3/4	7-5/8	4-11/16	4.900
UCT212-39	2-7/16	5-3/4	7-5/8	4-11/16	4.900
UCT213-40	2-1/2	6-9/16	8-13/16	5-13/32	6.900
UCT214-44	2-3/4	6-9/16	8-13/16	5-13/32	7.000
UCT215-48	3	6-9/16	9-1/8	5-1/2	7.300
UCT216-50	3-1/8	7-1/4	9-1/4	5-1/2	8.200
UCT217-52	3-1/4	7-13/16	10-1/4	6-3/8	11.000

Note:

For Reference Purpose Only. Mentioned Speed Ratings are with Oil Lubrication. For Grease Lubrication, please use 75% of the indicated values.

UCT300 Inch Series: Single Row Take Up Units



Principal dimensions					
Designation	inch				Mass kg
	Shaft Dia (d)	a	w	h	
UCT305-14	7/8	3-1/2	4-13/16	3	1.400
UCT305-16	1	3-1/2	4-13/16	3	1.400
UCT306-18	1-1/8	3-15/16	5-3/8	3-11/32	1.800
UCT307-20	1-1/4	4-3/8	5-7/8	3-11/16	2.400
UCT307-22	1-3/8	4-3/8	5-7/8	3-11/16	2.400
UCT308-24	1-1/2	4-7/8	6-3/8	3-15/16	3.000
UCT309-26	1-5/8	5-7/16	7	4-11/32	4.100
UCT309-28	1-3/4	5-7/16	7	4-11/32	4.100
UCT310-30	1-7/8	5-15/16	7-1/2	4-19/32	5.200
UCT311-32	2	6-7/16	8-1/8	5	6.400
UCT311-34	2-1/8	6-7/16	8-1/8	5	6.400
UCT312-36	2-1/4	7	8-11/16	5-5/16	7.600
UCT312-38	2-3/8	7	8-11/16	5-5/16	7.600
UCT313-40	2-1/2	7-1/2	9-3/8	5-3/4	9.200
UCT314-44	2-3/4	7-15/16	9-15/16	6-3/32	11.200
UCT315-48	3	8-1/2	10-5/16	6-5/16	13.000
UCT316-50	3-1/8	9-1/16	11-1/8	6-27/32	15.600
UCT317-52	3-1/4	9-7/16	11-3/4	7-7/32	19.300
UCT318-56	3-1/2	10-1/16	12-5/16	7-9/16	21.200
UCT319-60	3-3/4	10-5/8	12-11/16	7-3/4	24.400
UCT320-64	4	11-7/16	13-9/16	8-9/32	30.600

Note:

For Reference Purpose Only. Mentioned Speed Ratings are with Oil Lubrication. For Grease Lubrication, please use 75% of the indicated values.