



ANGULAR CONTACT BALL BEARINGS

JVN Bearings FZE

Introduction

Angular contact Ball Bearings are similar to Deep Groove Ball Bearings, however they can sustain combined radial & axial loads, because the line of contact between the balls & raceways is at an angle in the radial plane.

Angular contact Ball Bearings are

- Capable of carrying both axial and radial loads
- Suitable for low, medium and high-speed applications

JVN can offer following variants

- Open basic design type Single and Double Row Angular Contact Ball Bearings
- Standard precision grade (ISO Grade 0 -ABEC1) for Single and Double Row Angular Contact Ball Bearings
- Standard as well as higher grade (P6 and P5) for Single Row Angular Contact Ball Bearings used in combination
- Pressed Steel, Nylon Fibre and Brass Cage

Note:

For Reference Purpose Only. Mentioned Speed Ratings are with Oil Lubrication. For Grease Lubrication, please use 75% of the indicated values.

JVN BEARINGS FZE – Angular Contact Ball Bearings

Nomenclature

JVN standard suffixes for Deep Groove Ball Bearings

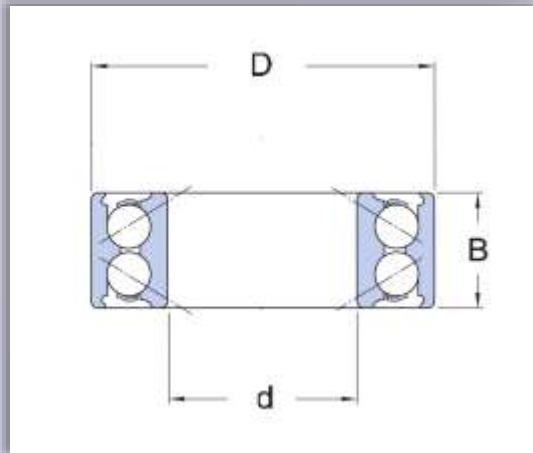
A	Contact angle of 30 degrees.
B	Contact angle of 40 degrees.
C	Contact angle of 15 degrees.
F	Fiber Cage
M	Machined Brass Cage for open type Bearings.
N	Snap Ring groove in the Outer Ring.
NR	Snap Ring groove in the Outer Ring, with Snap Ring.
TN/p	Nylon Cage for open type Bearings.
P4	Dimensional and running accuracy confirming to ISO class 4
P5	Dimensional and running accuracy confirming to ISO class 5
P6	Dimensional and running accuracy confirming to ISO class 6
RS	Rubber Seal with Steel sheet reinforcement on one side of the Bearing.
2RS	Rubber Seal with Steel sheet reinforcement on both sides of the Bearing.
Z	Metallic Shield on one side of the Bearing.
ZZ	Metallic Shields on both sides of the Bearing.

Note: Most of the Bearings listed in the following pages of this chapter are available with above suffixes, subject to design or manufacturing constraints.

Note:

For Reference Purpose Only. Mentioned Speed Ratings are with Oil Lubrication. For Grease Lubrication, please use 75% of the indicated values.

3200 Series: Double Row

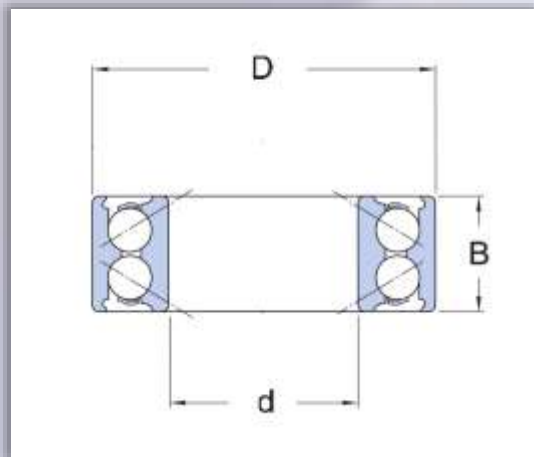


Principal Dimensions						Basic Load Ratings		Speed Ratings		Mass
Designation						N		Reference speed	Limiting speed	kg
						Dynamic C	Static C0	r/min		
		mm								
		d	D	B						
3200	3200 ZZ	3200 2RS	10	30	14	7610	4300	19,000	24,000	0.051
3201	3201 ZZ	3201 2RS	12	32	15.9	10100	5600	18,000	22,000	0.058
3202	3202 ZZ	3202 2RS	15	35	15.9	11200	6800	15,000	18,000	0.066
3203	3203 ZZ	3203 2RS	17	40	17.5	14300	8800	13,000	16,000	0.096
3204	3204 ZZ	3204 2RS	20	47	20.6	20000	12000	11,300	14,000	0.16
3205	3205 ZZ	3205 2RS	25	52	20.6	21600	14300	9,600	12,000	0.18
3206	3206 ZZ	3206 2RS	30	62	23.8	30000	20400	8,000	10,000	0.29
3207	3207 ZZ	3207 2RS	35	72	27	40000	28000	7,200	9,000	0.44
3208	3208 ZZ	3208 2RS	40	80	30.2	47500	34000	6,400	8,000	0.57
3209	3209 ZZ	3209 2RS	45	85	30.2	51000	39000	6,000	7,500	0.63
3210	3210 ZZ	3210 2RS	50	90	30.2	51000	39000	5,600	7,000	0.65
3211	3211 ZZ	3211 2RS	55	100	33.3	60000	47500	5,000	6,300	0.91
3212	3212 ZZ	3212 2RS	60	110	36.5	73500	58500	4,500	5,600	1.2
3213	3213 ZZ	3213 2RS	65	120	38.1	80600	73500	3,800	4,800	1.75
3214	3214 ZZ	3214 2RS	70	125	39.7	88400	80000	3,600	4,500	1.9
3215	3215 ZZ	3215 2RS	75	130	41.3	95600	88000	3,600	4,500	2.1
3216	3216 ZZ	3216 2RS	80	140	44.4	106000	95000	3,500	4,300	2.65
3217	3217 ZZ	3217 2RS	85	150	49.2	124000	110000	3,000	3,800	3.4
3218	3218 ZZ	3218 2RS	90	160	52.4	130000	120000	2,900	3,600	4.15
3219	3219 ZZ	3219 2RS	95	170	55.6	159000	146000	2,700	3,400	5
3220	3220 ZZ	3220 2RS	100	180	60.3	178000	166000	2,600	3,200	6.1

Note:

For Reference Purpose Only. Mentioned Speed Ratings are with Oil Lubrication. For Grease Lubrication, please use 75% of the indicated values.

3300 Series: Double Row

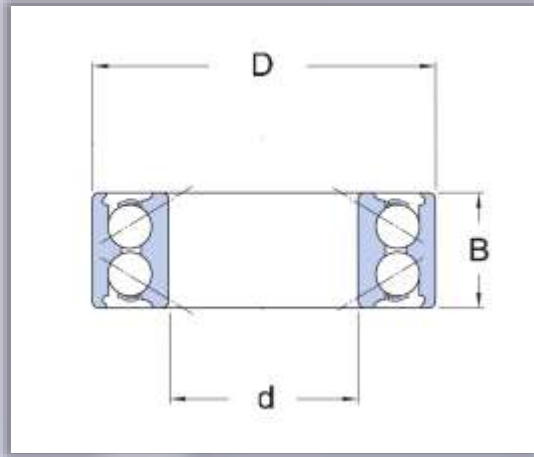


Principal Dimensions			Basic Load Ratings		Speed Ratings		Mass			
			N		Reference speed	Limiting speed				
Designation			mm			Dynamic	Static	r/min		kg
			d	D	B	C	C0			
3300	3300 ZZ	3300 2RS	10	32	19	7800	3200	7,500	10,000	0.058
3301	3301 ZZ	3301 2RS	12	37	19	9000	5100	8,400	12,000	0.063
3302	3302 ZZ	3302 2RS	15	42	19	15100	9300	13,000	16,000	0.13
3303	3303 ZZ	3303 2RS	17	47	22.2	21600	12700	11,000	14,000	0.18
3304	3304 ZZ	3304 2RS	20	52	22.2	23600	14600	10,400	13,000	0.22
3305	3305 ZZ	3305 2RS	25	62	25.4	32000	20400	8,800	11,000	0.35
3306	3306 ZZ	3306 2RS	30	72	30.2	41500	27500	7,200	9,000	0.52
3307	3307 ZZ	3307 2RS	35	80	34.9	52000	35500	6,800	8,500	0.74
3308	3308 ZZ	3308 2RS	40	90	36.5	64000	44000	6,000	7,500	0.93
3309	3309 ZZ	3309 2RS	45	100	39.7	75000	53000	5,400	6,700	1.25
3310	3310 ZZ	3310 2RS	50	110	44.4	90000	64000	4,800	6,000	1.7
3311	3311 ZZ	3311 2RS	55	120	49.2	112000	81500	4,200	5,300	2.65
3312	3312 ZZ	3312 2RS	60	130	54	127000	95000	4,000	5,000	2.8
3313	3313 ZZ	3313 2RS	65	140	58.7	146000	110000	3,600	4,500	4.1
3314	3314 ZZ	3314 2RS	70	150	63.5	163000	125000	3,500	4,300	5.05
3315	3315 ZZ	3315 2RS	75	160	68.3	176000	140000	3,200	4,000	5.55
3316	3316 ZZ	3316 2RS	80	170	68.3	193000	156000	3,000	3,800	6.8
3317	3317 ZZ	3317 2RS	85	180	73	208000	176000	2,900	3,600	8.3
3318	3318 ZZ	3318 2RS	90	190	73	208000	180000	2,700	3,400	9.25
3319	3319 ZZ	3319 2RS	95	200	77.8	240000	216000	2,600	3,200	11
3320	3320 ZZ	3320 2RS	100	215	82.6	255000	255000	2,300	2,800	13.5

Note:

For Reference Purpose Only. Mentioned Speed Ratings are with Oil Lubrication. For Grease Lubrication, please use 75% of the indicated values.

5200 Series: Double Row



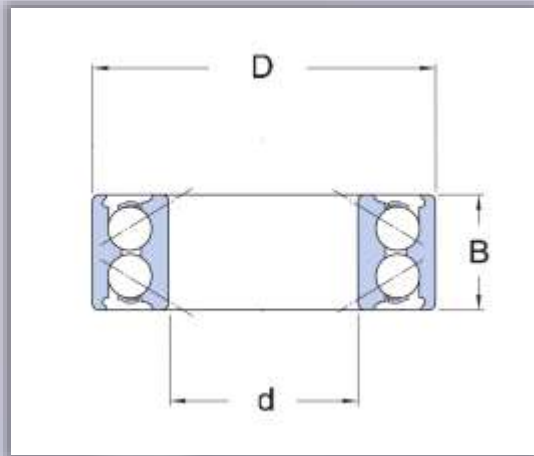
Principal Dimensions			Basic Load Ratings		Speed Ratings		Mass			
			N		Reference speed	Limiting speed				
Designation			mm			Dynamic	Static	r/min		kg
			d	D	B	C	C0			
5200	5200 ZZ	5200 2RS	10	30	14.3	7300	4000	18,000	24,000	0.05
5201	5201 ZZ	5201 2RS	12	32	15.9	10700	5950	16,000	22,000	0.06
5202	5202 ZZ	5202 2RS	15	35	15.9	11900	7200	14,000	19,000	0.07
5203	5203 ZZ	5203 2RS	17	40	17.5	15000	9250	12,000	17,000	0.09
5204	5204 ZZ	5204 2RS	20	47	20.6	20000	12700	10,000	14,000	0.12
5205	5205 ZZ	5205 2RS	25	52	20.6	21800	15100	9,500	13,000	0.19
5206	5206 ZZ	5206 2RS	30	62	23.8	30500	21700	8,000	11,000	0.29
5207	5207 ZZ	5207 2RS	35	72	27	40000	29500	7,000	9,500	0.43
5208	5208 ZZ	5208 2RS	40	80	30.2	45500	34000	6,000	8,000	0.57
5209	5209 ZZ	5209 2RS	45	85	30.2	51000	39000	5,500	7,500	0.62
5210	5210 ZZ	5210 2RS	50	90	30.2	54500	44500	5,000	6,700	0.67
5211	5211 ZZ	5211 2RS	55	100	33.3	67500	56500	4,500	6,300	0.96
5212	5212 ZZ	5212 2RS	60	110	36.5	76000	62000	4,300	5,600	1.36
5213	5213 ZZ	5213 2RS	65	120	38.1	89000	77000	3,900	5,300	1.66
5214	5214 ZZ	5214 2RS	70	125	39.7	96500	84500	3,800	5,000	1.82
5215	5215 ZZ	5215 2RS	75	130	41.3	96000	85500	3,400	4,700	1.91
5216	5216 ZZ	5216 2RS	80	140	44.4	104000	94000	3,500	4,600	2.48
5217	5217 ZZ	5217 2RS	85	150	49.2	112000	103000	3,000	4,000	3.4
5218	5218 ZZ	5218 2RS	90	160	52.4	138000	133000	2,700	3,900	4.28
5219	5219 ZZ	5219 2RS	95	170	55.6	149000	139000	2,600	3,700	5.02
5220	5220 ZZ	5220 2RS	100	180	60.3	168000	159000	2,400	3,200	5.78

Note:

For Reference Purpose Only. Mentioned Speed Ratings are with Oil Lubrication. For Grease Lubrication, please use 75% of the indicated values.

JVN BEARINGS FZE – Angular Contact Ball Bearings

5300 Series: Double Row



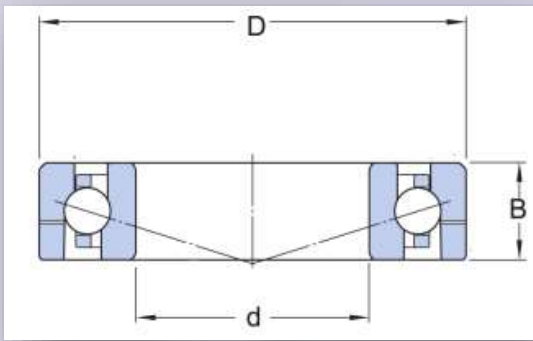
Principal Dimensions			mm		Basic Load Ratings		Speed Ratings		Mass kg	
					Dynamic C	Static C0	Reference speed r/min	Limiting speed		
Designation			d	D	B	N				
5300	5300 ZZ	5300 2RS	10	35	19	6500	5700	11,000	15,000	0.098
5301	5301 ZZ	5301 2RS	12	37	19	7300	6300	10,400	14,000	0.102
5302	5302 ZZ	5302 2RS	15	42	19	16100	8900	10,000	14,000	0.102
5303	5303 ZZ	5303 2RS	17	47	22.2	23100	12700	10,000	14,000	0.14
5304	5304 ZZ	5304 2RS	20	52	22.2	21700	13300	9,000	11,000	0.23
5305	5305 ZZ	5305 2RS	25	62	25.4	32000	21600	7,300	10,000	0.34
5306	5306 ZZ	5306 2RS	30	72	30.2	41500	29000	7,000	9,500	0.51
5307	5307 ZZ	5307 2RS	35	80	34.9	52000	37000	6,300	8,500	0.79
5308	5308 ZZ	5308 2RS	40	90	36.5	63500	46500	5,500	7,500	1.05
5309	5309 ZZ	5309 2RS	45	100	39.7	76500	56500	5,000	6,700	1.42
5310	5310 ZZ	5310 2RS	50	110	44.4	90000	68000	4,500	6,000	1.93
5311	5311 ZZ	5311 2RS	55	120	49.2	112000	86500	4,000	5,500	2.3
5312	5312 ZZ	5312 2RS	60	130	54	128000	101000	3,800	5,000	3.16
5313	5313 ZZ	5313 2RS	65	140	58.7	145000	115000	3,600	4,700	3.86
5314	5314 ZZ	5314 2RS	70	150	63.5	163000	132000	3,200	4,300	4.88
5315	5315 ZZ	5315 2RS	75	160	68.3	178000	149000	3,000	4,000	5.51
5316	5316 ZZ	5316 2RS	80	170	68.3	192000	167000	2,800	4,000	6.81

Note:

For Reference Purpose Only. Mentioned Speed Ratings are with Oil Lubrication. For Grease Lubrication, please use 75% of the indicated values.

JVN BEARINGS FZE – Angular Contact Ball Bearings

7000 Series: Single Row

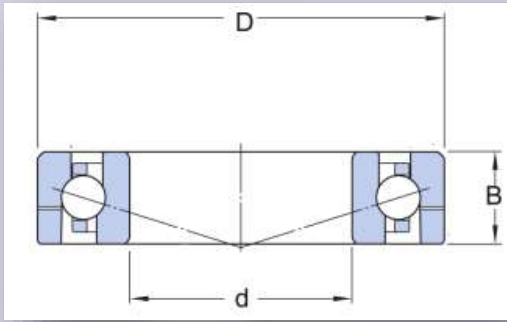


Principal Dimensions			Basic Load Ratings		Speed Ratings		Mass	
			N		Reference speed	Limiting speed		
Designation	mm		Dynamic	Static	r/min		kg	
	d	D	C	C0				
7000	10	26	8	5000	2340	23,000	31,000	0.022
7001	12	28	8	5050	2710	22,000	29,000	0.024
7002	15	32	9	6150	3400	18,000	24,000	0.035
7003	17	35	10	6400	3800	17,000	22,000	0.045
7004	20	42	12	10300	6050	15,000	20,000	0.079
7005	25	47	12	11300	7400	13,000	17,000	0.091
7006	30	55	13	14500	10100	12,000	14,000	0.135
7007	35	62	14	17500	12600	9,500	13,000	0.17
7008	40	68	15	18800	14500	8,500	11,000	0.21
7009	45	75	16	22200	17600	7,500	10,000	0.265
7010	50	80	16	23600	20000	7,000	9,200	0.285
7011	55	90	18	31000	26200	6,300	8,500	0.42
7012	60	95	18	32000	28000	6,000	7,600	0.45
7013	65	100	18	33500	31000	5,600	7,100	0.47
7014	70	110	20	42500	39500	5,000	6,600	0.66
7015	75	115	20	43500	41500	4,800	6,300	0.695
7016	80	125	22	53500	50500	4,400	5,800	0.925
7017	85	130	22	54500	53500	4,100	5,500	0.96
7018	90	140	24	65000	63000	3,800	5,200	1.26
7019	95	145	24	67000	66500	3,800	5,200	1.36
7020	100	150	24	68500	70500	3,600	4,800	1.37
7021	105	160	26	80000	81500	3,300	4,400	1.73
7022	110	170	28	92000	92500	3,200	4,300	2.14
7024	120	180	28	96500	103000	2,900	3,800	2.27
7026	130	200	33	117000	125000	2,600	3,600	3.43
7028	140	210	33	120000	133000	2,400	3,300	3.63
7030	150	225	35	137000	154000	2,300	3,000	4.42

Note:

For Reference Purpose Only. Mentioned Speed Ratings are with Oil Lubrication. For Grease Lubrication, please use 75% of the indicated values.

7200 Series Single Row

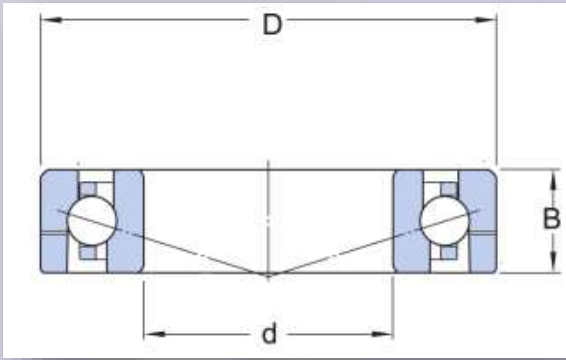


Principal Dimensions			Basic Load Ratings		Speed Ratings		Mass	
			N		Reference speed	Limiting speed		
Designation	mm		Dynamic	Static			r/min	
	d	D	B	C	C0			
7200	10	30	9	7020	3350	24,000	30,000	0.03
7201	12	32	10	7610	3800	20,800	26,000	0.036
7202	15	35	11	8800	4650	20,800	26,000	0.045
7203	17	40	12	11000	5850	17,600	22,000	0.065
7204	20	47	14	14300	8150	15,200	19,000	0.11
7205	25	52	15	15600	10000	13,600	17,000	0.13
7206	30	62	16	24000	15600	11,200	14,000	0.2
7207	35	72	17	31000	20800	9,600	12,000	0.28
7208	40	80	18	36500	26000	8,800	11,000	0.37
7209	45	85	19	38000	28500	8,000	10,000	0.42
7210	50	90	20	40000	31000	7,200	9,000	0.47
7211	55	100	21	49000	40000	6,400	8,000	0.62
7212	60	110	22	61000	50000	6,000	7,500	0.8
7213	65	120	23	69500	57000	5,400	6,700	1
7214	70	125	24	72000	60000	5,000	6,300	1.1
7215	75	130	25	73500	65500	5,000	6,300	1.2
7216	80	140	26	85000	75000	4,500	5,600	1.45
7217	85	150	28	102000	90000	4,300	5,300	1.85
7218	90	160	30	116000	104000	4,000	5,000	2.3
7219	95	170	32	124000	108000	3,600	4,500	2.7
7220	100	180	34	143000	134000	3,600	4,500	3.3
7221	105	190	36	156000	150000	3,400	4,300	3.95
7222	110	200	38	163000	156000	3,200	4,000	4.6
7224	120	215	40	165000	163000	2,900	3,600	5.9
7226	130	230	40	186000	193000	2,700	3,400	6.95
7228	140	250	42	199000	212000	2,400	3,000	8.85
7230	150	270	45	216000	240000	2,200	2,800	11.5

Note:

For Reference Purpose Only. Mentioned Speed Ratings are with Oil Lubrication. For Grease Lubrication, please use 75% of the indicated values.

7300 Series Single Row

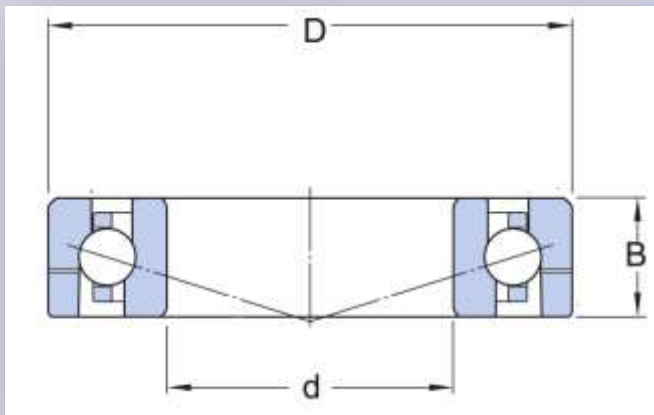


Principal Dimensions			Basic Load Ratings		Speed Ratings		Mass	
Designation	mm		Dynamic	Static	Reference speed r/min	Limiting speed		
	d	D	B	C			C0	kg
7300	10	35	11	9090	4455	20,000	26,000	0.04
7301	12	37	12	10600	5300	19,000	24,000	0.06
7302	15	42	13	13000	6700	16,000	20,000	0.08
7303	17	47	14	15900	8300	15,000	19,000	0.11
7304	20	52	15	19000	10000	14,000	18,000	0.14
7305	25	62	17	26500	15300	12,000	15,000	0.23
7306	30	72	19	35500	21200	10,000	13,000	0.34
7307	35	80	21	41500	26500	9,000	11,000	0.45
7308	40	90	23	50000	32500	8,000	10,000	0.68
7309	45	100	25	61000	40500	7,500	9,000	0.91
7310	50	110	27	75000	51000	6,400	8,000	1.1
7311	55	120	29	85000	60000	5,600	7,000	1.4
7312	60	130	31	104000	76500	5,400	6,700	1.75
7313	65	140	33	116000	86500	5,000	6,300	2.15
7314	70	150	35	127000	98000	4,500	5,600	2.65
7315	75	160	37	132000	104000	4,200	5,300	3.2
7316	80	170	39	143000	118000	4,000	5,000	3.8
7317	85	180	41	156000	132000	3,800	4,800	4.45
7318	90	190	43	166000	146000	3,600	4,500	5.2
7319	95	200	45	180000	163000	3,500	4,300	6.05
7320	100	215	47	216000	208000	3,200	4,000	7.5
7321	105	225	49	216000	208000	3,000	3,800	8.55
7322	110	240	50	240000	245000	2,900	3,600	10
7324	120	260	55	238000	250000	2,400	3,000	14.5
7326	130	280	58	276000	305000	2,300	2,800	17
7328	140	300	62	302000	345000	2,100	2,600	21.5
7330	150	320	65	332000	390000	1,900	2,400	26

Note:

For Reference Purpose Only. Mentioned Speed Ratings are with Oil Lubrication. For Grease Lubrication, please use 75% of the indicated values.

7900 Series Single Row

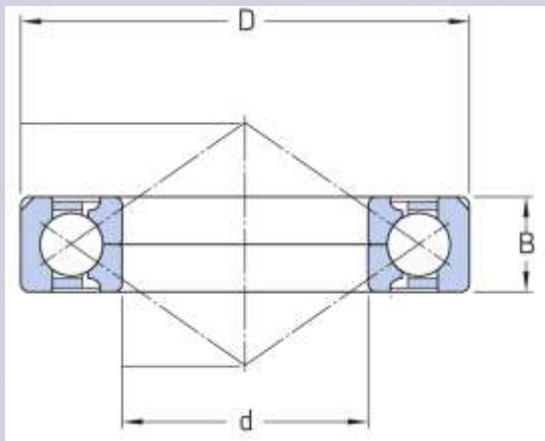


Principal Dimensions				Basic Load Ratings		Speed Ratings		Mass
Designation	mm			Dynamic	Static	Reference speed r/min	Limiting speed	
	d	D	B	C	C0			
7900	10	22	6	3000	1520	48,000	63,000	0.009
7901	12	24	6	3350	1860	45,000	63,000	0.011
7902	15	28	7	4750	2640	38,000	53,000	0.015
7903	17	30	7	5000	2940	34,000	48,000	0.017
7904	20	37	9	6600	4050	24,000	32,000	0.036
7905	25	42	9	7850	5400	24,000	34,000	0.042
7906	30	47	9	8300	6250	22,000	28,000	0.049
7907	35	55	10	12100	9150	18,000	24,000	0.074
7908	40	62	12	15100	11700	16,000	22,000	0.109
7909	45	68	12	16000	13400	14,000	20,000	0.129
7910	50	72	12	16900	15000	13,000	18,000	0.13
7911	55	80	13	19100	17700	12,000	16,000	0.182
7912	60	85	13	19400	18700	11,000	15,000	0.194
7913	65	90	13	20200	20500	10,000	14,000	0.208
7914	70	100	16	28100	27800	9,500	13,000	0.338
7915	75	105	16	28600	29300	9,000	12,000	0.357
7916	80	110	16	29000	30500	8,500	12,000	0.376
7917	85	120	18	39000	40500	8,000	11,000	0.534
7918	90	125	18	41500	46000	7,500	10,000	0.563
7919	95	130	18	42500	48000	7,100	10,000	0.591
7920	100	140	20	50000	54000	6,700	9,000	0.794
7921	105	145	20	51000	57000	6,300	9,000	0.826
7922	110	150	20	52000	59500	6,300	8,500	0.867
7924	120	165	22	72000	81000	5,600	7,500	1.15
7926	130	180	24	78500	91000	5,000	7,100	1.5
7928	140	190	24	79500	95500	4,800	6,700	1.63
7930	150	210	28	102000	122000	4,300	6,000	2.96

Note:

For Reference Purpose Only. Mentioned Speed Ratings are with Oil Lubrication. For Grease Lubrication, please use 75% of the indicated values.

QJ200 Series: Single Row

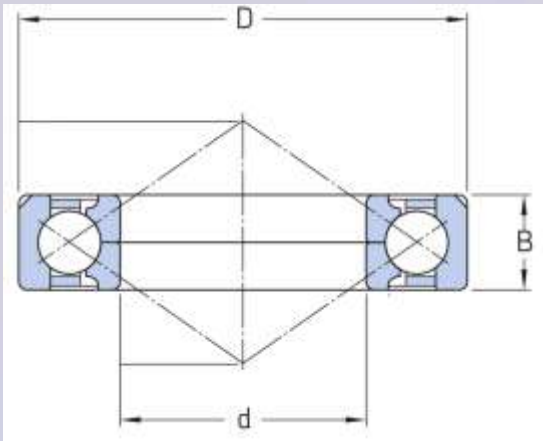


Principal Dimensions				Basic Load Ratings		Speed Ratings		Mass
Designation	mm			N		Reference speed r/min	Limiting speed	
	d	D	B	Dynamic C	Static C0			
QJ202	15	35	11	12700	8300	22,000	36,000	0.062
QJ203	17	40	12	17000	11400	22,000	30,000	0.082
QJ205	25	52	15	27000	21200	16,000	22,000	0.16
QJ206	30	62	16	37500	30500	14,000	19,000	0.24
QJ207	35	72	17	49000	41500	12,000	17,000	0.35
QJ208	40	80	18	56000	49000	11,000	15,000	0.45
QJ209	45	85	19	63000	56000	10,000	14,000	0.52
QJ210	50	90	20	65500	61000	9,000	13,000	0.59
QJ211	55	100	21	85000	83000	8,000	11,000	0.77
QJ212	60	110	22	96500	93000	7,500	10,000	0.99
QJ213	65	120	23	110000	112000	6,700	9,500	1.2
QJ214	70	125	24	120000	122000	6,300	9,000	1.3
QJ215	75	130	25	125000	132000	6,300	8,500	1.45
QJ216	80	140	26	146000	156000	5,600	8,000	1.85
QJ217	85	150	28	156000	173000	5,300	7,500	2.25
QJ218	90	160	30	186000	200000	5,000	7,000	2.75
QJ219	95	170	32	212000	232000	4,800	6,700	3.35
QJ220	100	180	34	236000	265000	4,500	6,300	4.05
QJ222	110	200	38	280000	325000	4,000	5,600	5.6
QJ224	120	215	40	300000	365000	3,600	5,000	6.95
QJ226	130	230	40	310000	400000	3,400	4,800	7.75
QJ228	140	250	42	345000	475000	3,200	4,300	9.85
QJ230	150	270	45	400000	570000	3,000	4,000	12.5

Note:

For Reference Purpose Only. Mentioned Speed Ratings are with Oil Lubrication. For Grease Lubrication, please use 75% of the indicated values.

QJ300 Series: Single Row



Principal Dimensions			Basic Load Ratings		Speed Ratings		Mass	
Designation	mm		N	C0	Reference speed	Limiting speed		
	d	D	B				Dynamic	kg
QJ303	17	47	14	23400	15000	17,000	28,000	0.14
QJ304	20	52	15	32000	21600	18,000	24,000	0.18
QJ305	25	62	17	42500	30000	15,000	20,000	0.29
QJ306	30	72	19	53000	41500	12,000	17,000	0.42
QJ307	35	80	21	64000	51000	11,000	15,000	0.57
QJ308	40	90	23	78000	64000	10,000	14,000	0.78
QJ309	45	100	25	100000	83000	9,000	12,000	1.05
QJ310	50	110	27	118000	100000	8,000	11,000	1.35
QJ311	55	120	29	137000	118000	7,000	10,000	1.75
QJ312	60	130	31	156000	137000	6,700	9,000	2.15
QJ313	65	140	33	176000	156000	6,300	8,500	2.7
QJ314	70	150	35	200000	180000	5,600	8,000	3.15
QJ315	75	160	37	216000	200000	5,300	7,500	3.9
QJ316	80	170	39	232000	228000	5,000	7,000	4.6
QJ317	85	180	41	250000	255000	4,800	6,700	5.45
QJ318	90	190	43	285000	305000	4,500	6,300	6.45
QJ319	95	200	45	305000	340000	4,300	6,000	7.45
QJ320	100	215	47	345000	400000	4,000	5,600	9.3
QJ322	110	240	50	390000	480000	3,600	4,800	12.5
QJ324	120	260	55	415000	530000	3,200	4,500	16
QJ326	130	280	58	455000	610000	3,000	4,000	19.5
QJ328	140	300	62	500000	695000	2,800	3,800	24
QJ330	150	320	65	530000	765000	2,600	3,600	29

Note:

For Reference Purpose Only. Mentioned Speed Ratings are with Oil Lubrication. For Grease Lubrication, please use 75% of the indicated values.